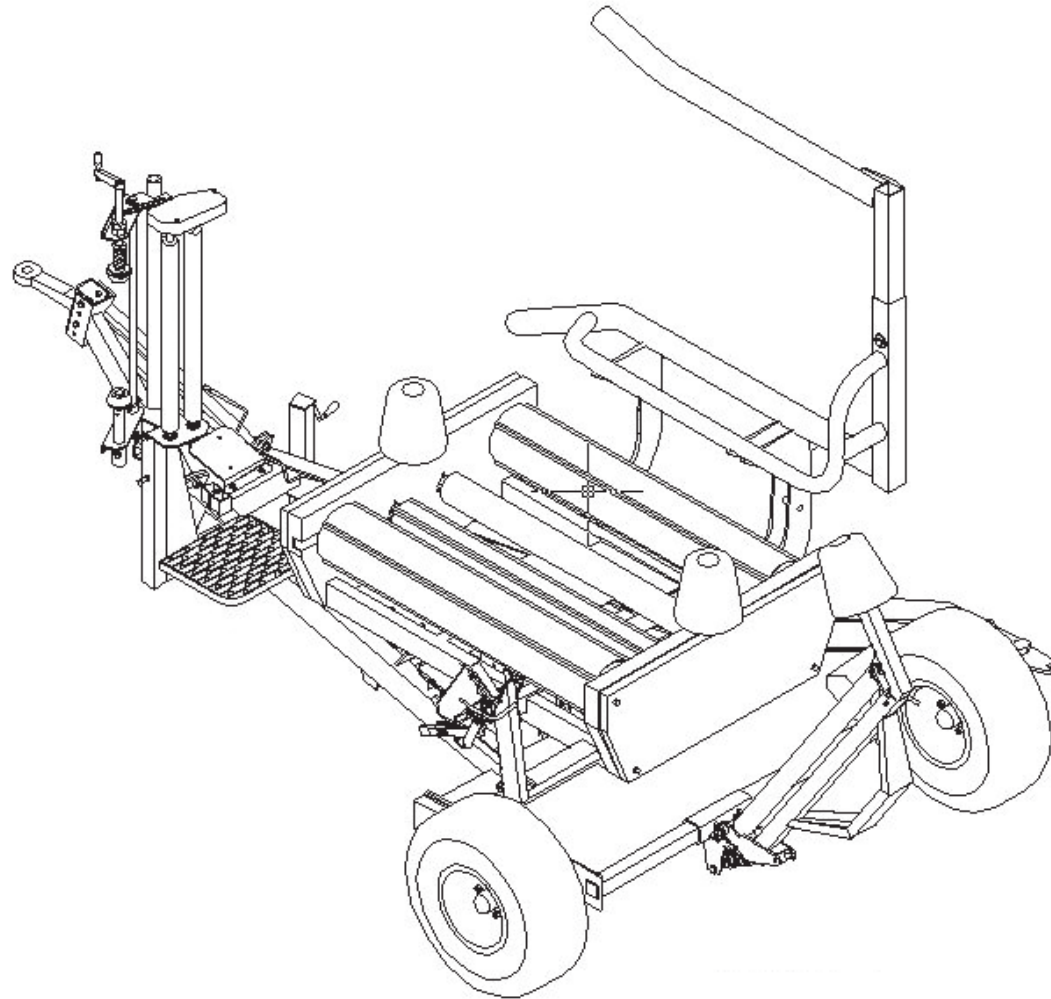


SPARE PARTS CATALOGUE
SELF-LOADING BALE WRAPPER
Z593

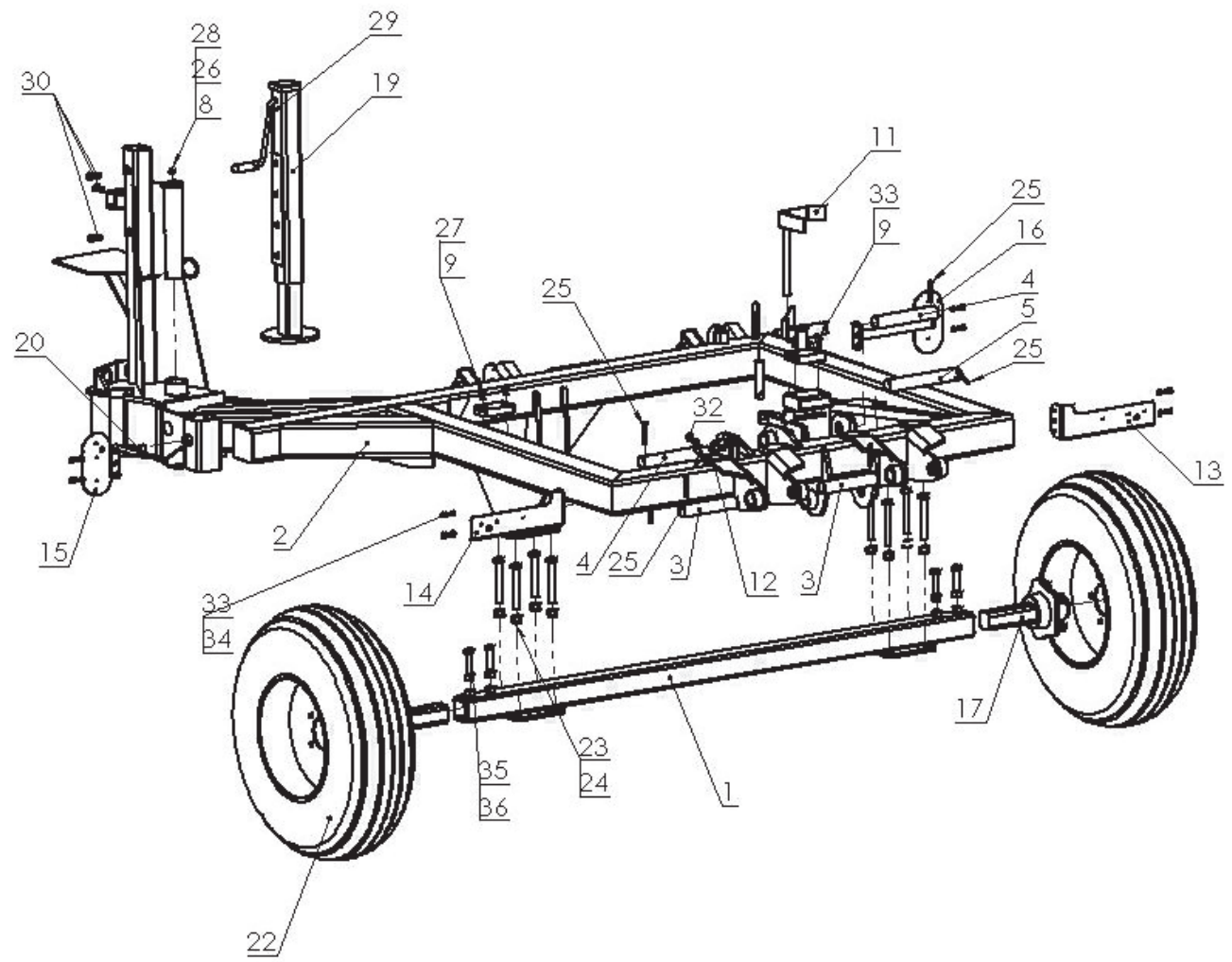


Edition 01/2011

LIST OF CATALOGUE ITEMS

| No. | Table title | Page number |
|-----|---------------------------|-------------|
| 1. | Lower frame, set | 4 |
| 2. | Movable frame, set | 8 |
| 3. | Rotary frame, set | 14 |
| 4. | Loading arm, set | 24 |
| 5. | Bale positioning device | 26 |
| 6. | Hitch, set | 28 |
| 7. | Wrapping film feeder, set | 30 |
| 8. | Hydraulic system | 36 |
| 9. | Electrical system | 44 |

Lower frame, set
1/2



LOWER FRAME

| No. in dwg | Assembly or part description | Drawing number or index | Amount |
|---------------|----------------------------------|-------------------------|--------|
| 1 | Axle, set | Z-593 01.01.00 | 1 |
| 2 | Chassis frame | Z-593 01.02.00 | 1 |
| 3 | Pin I | Z-593 01.00.03 | 2 |
| 4 | Pin II | Z-593 01.00.04 | 2 |
| 5 | Pin III | Z-593 01.00.05 | 1 |
| 6 | Pin IV | Z-593 01.00.06 | 3 |
| 7 | Pin V | Z-593 01.07.00 | 1 |
| 8 | Hitch pin | Z-593 01.08.00 | 1 |
| 9 | Rubber fender | POD-TSZ-000007-1 | 2 |
| 10 | | | |
| 11 | Lever I | Z-593 01.11.00 | 1 |
| 12 | Pin VI | Z-593 01.12.00 | 1 |
| 13 | Rear lamp bracket I | Z-593 01.00.13 | 1 |
| 14 | Rear lamp bracket II | Z-593 01.00.14 | 1 |
| 15 | Front lamp bracket I | Z-593 01.00.15 | 1 |
| 16 | Front lamp bracket II | Z-593 01.16.00 | 1 |
| 17 | Axle shaft, S50JA0500200A0001001 | Z-593 01.01.04 | 2 |
| 18 | Lever II | Z-593 00.05.00 | 1 |

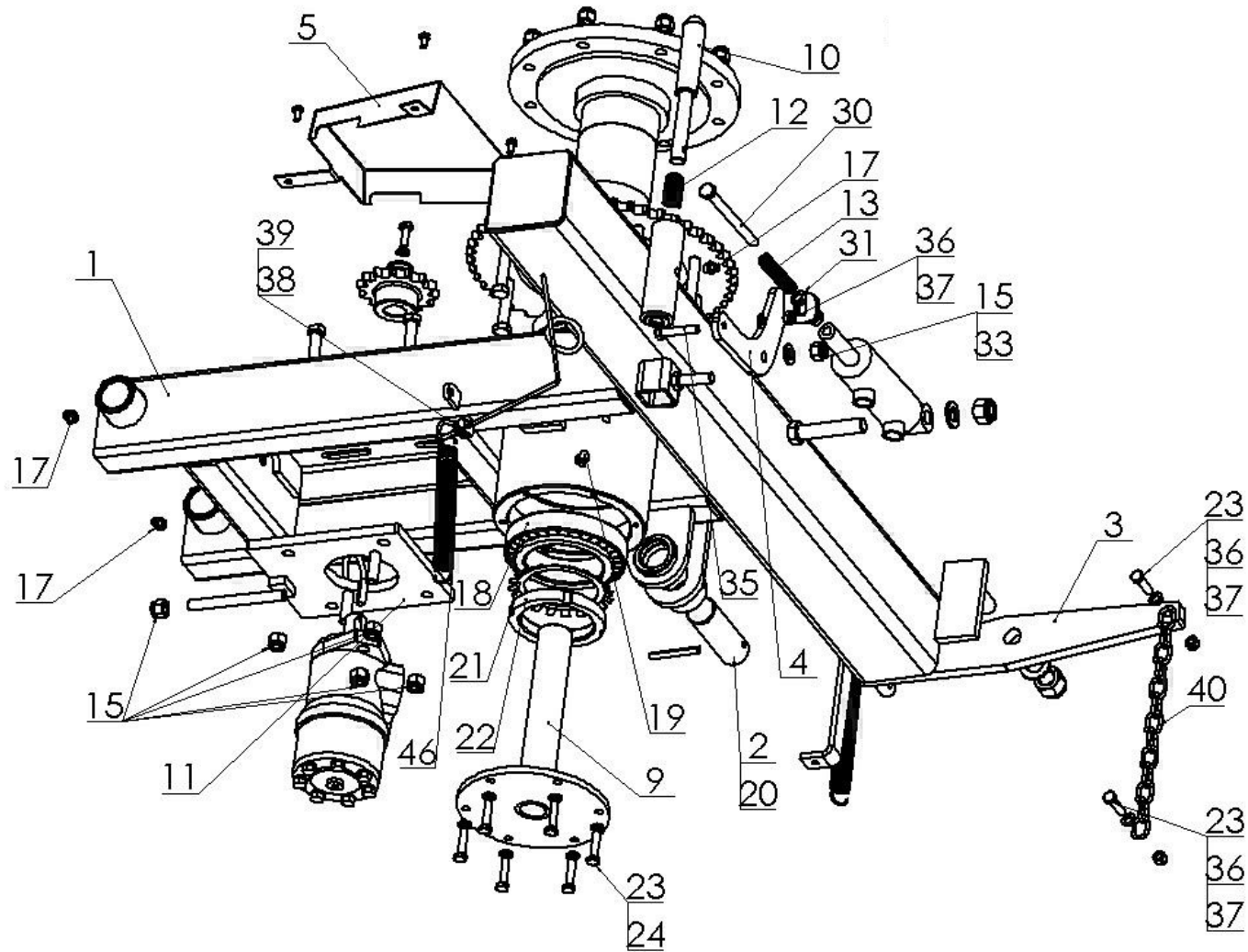
LOWER FRAME

| No. in dwg | Assembly or part description | Drawing number or index | Quantity (pieces) |
|---------------|--|-------------------------|----------------------|
| 19 | Foot, set | Z-237 00.28.00 | 1 |
| 20 | Foot pressure element | Z-237 01.28.00 | 1 |
| 21 | Spring II | 23S1.5/20/160 | 1 |
| 22 | Wheel, set | 25K10.0/80-12 10PR | 2 |
| 23 | Bolt, M16x120 8.8 PN/M-82101 | 23S16/120 8.8 82101 OC | 8 |
| 24 | Nut, M16 PN/M-82175 | 23NS16OC | 8 |
| 25 | Spring pin, Ø8x60 PN/M-85023 | POD-ELZ-000009-1 | 10 |
| 26 | Spring pin, Ø8x70 PN/M-85023 | POD-ELZ-000020-1 | 1 |
| 27 | | | |
| 28 | Straight grease nipple, M10x1 PN/M-86002 | 23SM10/1 | 2 |
| 29 | Straight grease nipple, M8x1 PN/M-86002 | 23SM8 | 1 |
| 30 | Bolt, M12x30 8.8 PN/M-82105 | 23S12/30OC 8.8 | 3 |
| 31 | Spring pin, Ø6x45 PN/M-85023 | 23K6/45 | 1 |
| 32 | Spring cotter pin, single, Ø4 DIN 11024 | 23ZRFI4 | 1 |
| 33 | Bolt, M8x16 8.8 PN/M-82105 | 23S8/16 8.8 82105 OC | 10 |
| 34 | Spring washer, M8 PN/M-82175 | 23P8SPOC | 8 |
| 35 | Bolt, M16x60 8.8 PN/M-82105 | 23S16/60 | 4 |
| 36 | Nut, M16 PN/M-82144 | 23N16OC | 4 |

MOVABLE FRAME

| No. in dwg | Assembly or part description | Drawing number or index | Quantity (pieces) |
|---------------|---------------------------------|-------------------------|----------------------|
| 1 | Movable frame | Z-593 02.0.00 | 1 |
| 2 | Actuator pin | Z-593 02.00.02 | 1 |
| 3 | Lever, set | Z-593 02.03.00 | 1 |
| 4 | Lever III | Z-593 02.00.04 | 1 |
| 5 | Gearbox guard | Z-593 02.00.05 | 1 |
| 6 | Chain wheel, Z-14 | 25KLZ-237 00.00.12 | 1 |
| 7 | Chain wheel, Z-50 | 25KLZ-237 00.00.14 | 1 |
| 8 | Pin, set | 25CZ-237 000.015.000 | 1 |
| 9 | Axle, set | Z-237 00.16.00 | 1 |
| 10 | Lock pin | Z-237 00.00.07 | 1 |
| 11 | Engine support | Z-577 00.10.00 | 1 |
| 12 | Spring I | 23SPS2/17/75 | 1 |
| 13 | Spring II | 23S22 | 1 |
| 14 | Spring II | 23SP/2/20/200 | 1 |
| 15 | Nut, M12 PN/M-82175 | 23NS12OC | 16 |
| 16 | Bolt, M12x40 8.8 PN/M-82105 | 23S12/40OC 8.8 | 4 |
| 17 | Grease nipple, M10x1 PN/M-86002 | 23SM10/1 | 3 |

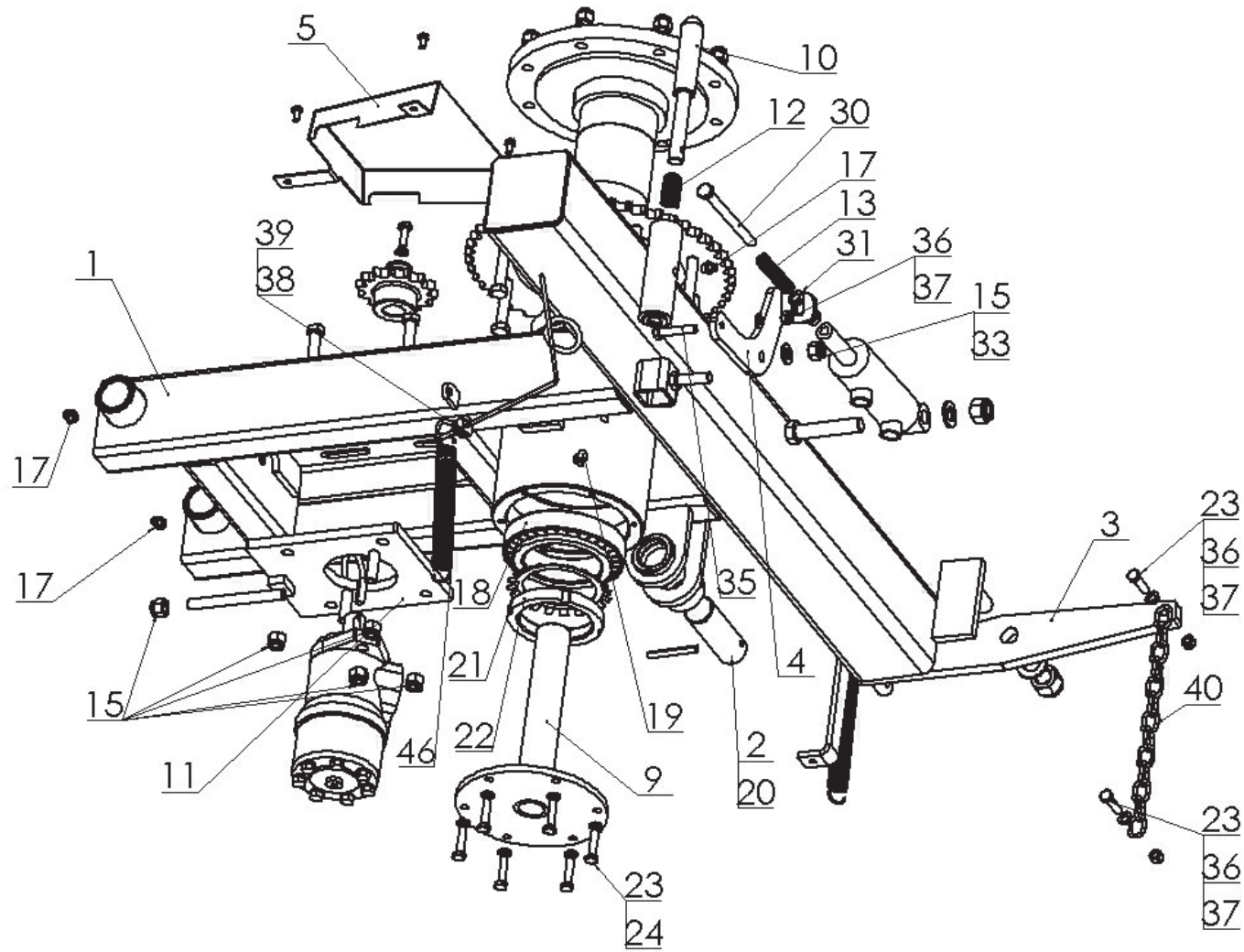
Movable frame, set
2/2



MOVABLE FRAME

| No. in dwg | Assembly or part description | Drawing number or index | Quantity (pieces) |
|---------------|---|-------------------------|----------------------|
| 18 | Cone bearing, 32018 XA | 25L32018 | 2 |
| 19 | Grease nipple, M10x1, 90° angle, PN/M-82003 | 23M10KAT90 | 1 |
| 20 | Spring pin, Ø8x60 PN/M-85023 | POD-ELZ-000009-1 | 1 |
| 21 | Bearing washer, MB17 | 25PL | 1 |
| 22 | Bearing nut, KM17 | 25L17KM | 1 |
| 23 | Bolt, M8x35 8.8 PN/M-82105 | 23S8/35OC 8.8 | 6 |
| 24 | Spring washer M8 PN/M-82008 | 23P8SPOC | 7 |
| 25 | Bolt, M12x60 8.8 PN/M-82101 | 23S12/60OC 8.8 | 8 |
| 26 | Washer Ø30 | Z-593 02.00.06 | 3 |
| 27 | Washer, M10 PN/M-82030 | 23P10 OC030 | 1 |
| 28 | Bolt, M8x25 8.8 PN/M-82105 | 23S8/25OC8.8 | 1 |
| 29 | Washer, M20 PN/M-82175 | 23NS20OC 82175 | 1 |
| 30 | Bolt, M10x130 8.8 PN/M-82101 | 23S10/130OC | 1 |
| 31 | Washer, M10 PN/M-82005 | 23P10 82005 | 1 |
| 32 | Nut, M10 PN/M-82144 | 23N10OC | 1 |
| 33 | Washer, M12 PN/M-82005 | 23P12OC | 5 |
| 34 | Nut, M16 PN/M-82175 | 23NS16OC | 1 |
| 35 | Bolt, M8x45 8.8 PN/M-82105 | 23S8/45OC 8.8 | 1 |

Movable frame, set
2/2

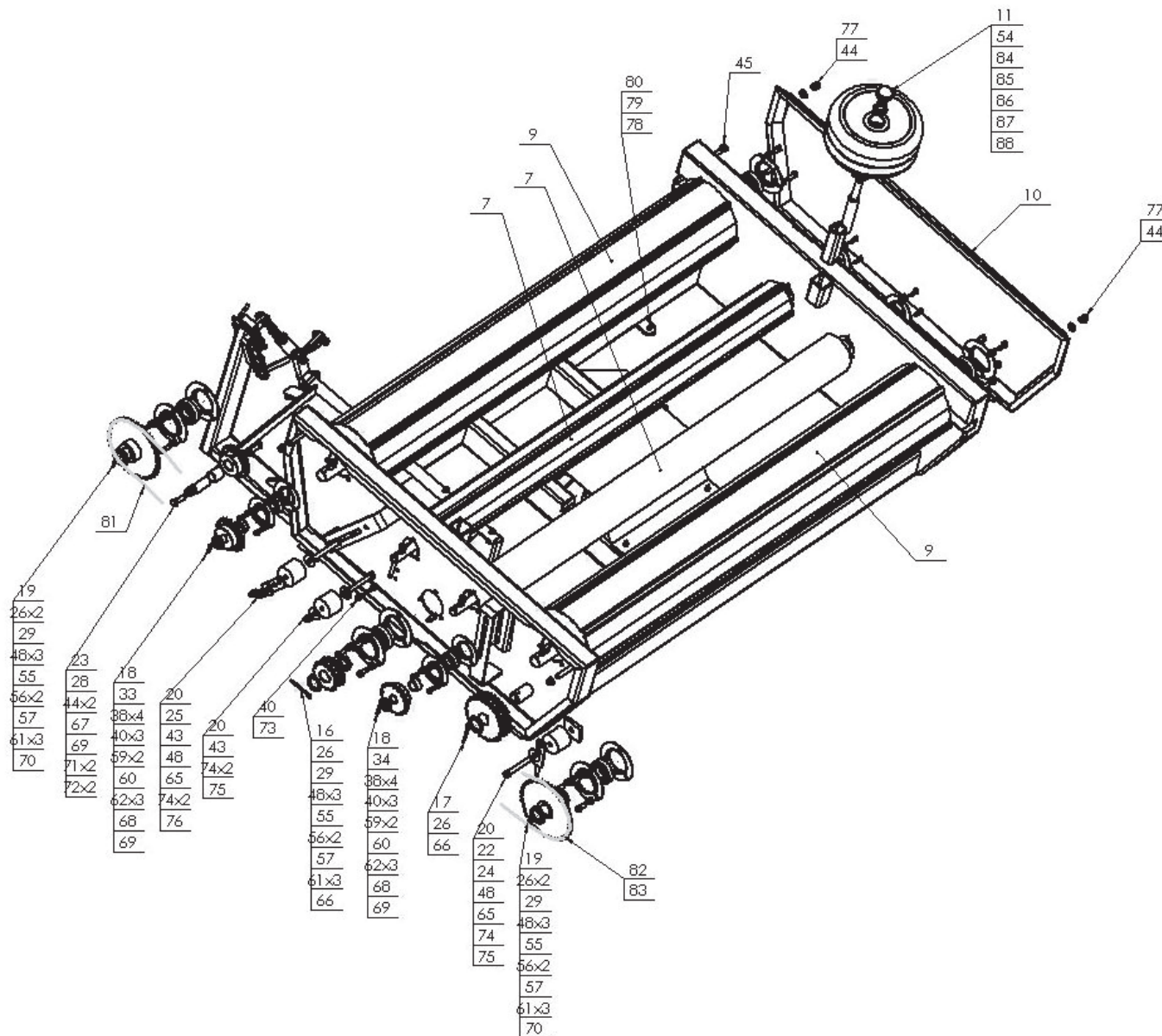


MOVABLE FRAME

| No. in dwg | Assembly or part description | Drawing number or index | Quantity (pieces) |
|---------------|---|-------------------------|----------------------|
| 36 | Washer, M8 PN/M-82005 | 23P8OOC | 3 |
| 37 | Nut M8 PN/M-82175 | 23NS8OC | 3 |
| 38 | Cable Ø4 | 23LS4 | L=850 mm |
| 39 | Rope clamp | 23ZL | 2 |
| 40 | Galvanised technical chain, 6.0x20.4x1.3 DIN766 | POD-LAN-000051 | L=750 mm |
| 41 | Self-tapping screw, 6.3x25, head for a wrench | 28W6.3x25 OC | 3 |
| 42 | Roller chain 12B1, 63 links PN/M-84168 | POD-LAN-000053 | 1 |
| 43 | Straight fastening link, 12B1 PN/M-84168 | POD-LAN-000004-1 | 1 |
| 44 | Washer, M16 PN/M-82005 | 23P16OOC | 1 |
| 45 | Washer, M20 PN/M-82005 | 23P20OOC | 1 |
| 46 | Spring I | 23S1.5/20/160 | 1 |

ROTARY FRAME, SET

1/3



ROTARY FRAME, SET

| No. in dwg | Assembly or part description | Drawing number or index | Quantity (pieces) |
|---------------|------------------------------|-------------------------|----------------------|
| 1 | Rotary frame | Z-593 03.01.00 | 1 |
| 2 | Latch | Z-593 03.02.00 | 1 |
| 3 | Latch II | Z-593 03.03.00 | 1 |
| 4 | Rod, M12 | Z-593 03.00.04 | 1 |
| 5 | Pressure element, set | Z-593 03.05.00 | 1 |
| 6 | Wheel drive shaft, Z-17 | Z-593 03.00.06 | 1 |
| 7 | Thin shaft | Z-593 03.08.00 | 2 |
| 8 | | | |
| 9 | Thick shaft | Z-593 03.09.00 | 2 |
| 10 | Side guard | Z-593 03.10.00 | 2 |
| 11 | Side wheel bracket | Z-593 03.11.100 | 2 |
| 12 | Tube, set | Z-237 33.03.100 | 1 |
| 13 | Rod eye | Z-237 33.02.02 | 1 |
| 14 | Spring II | 23S1.5/10/80 | 1 |
| 15 | Spring II | 23SS3/22/230 | 1 |
| 16 | Chain wheel, Z-17 | 25KLZ-237 33.00.12 | 1 |
| 17 | Chain wheel, Z-27 | 25KLZ-237 33.00.16 | 1 |
| 18 | Chain wheel, Z-19 | 25KLZ-237 33.17.00 | 2 |

ROTARY FRAME, SET

1/3

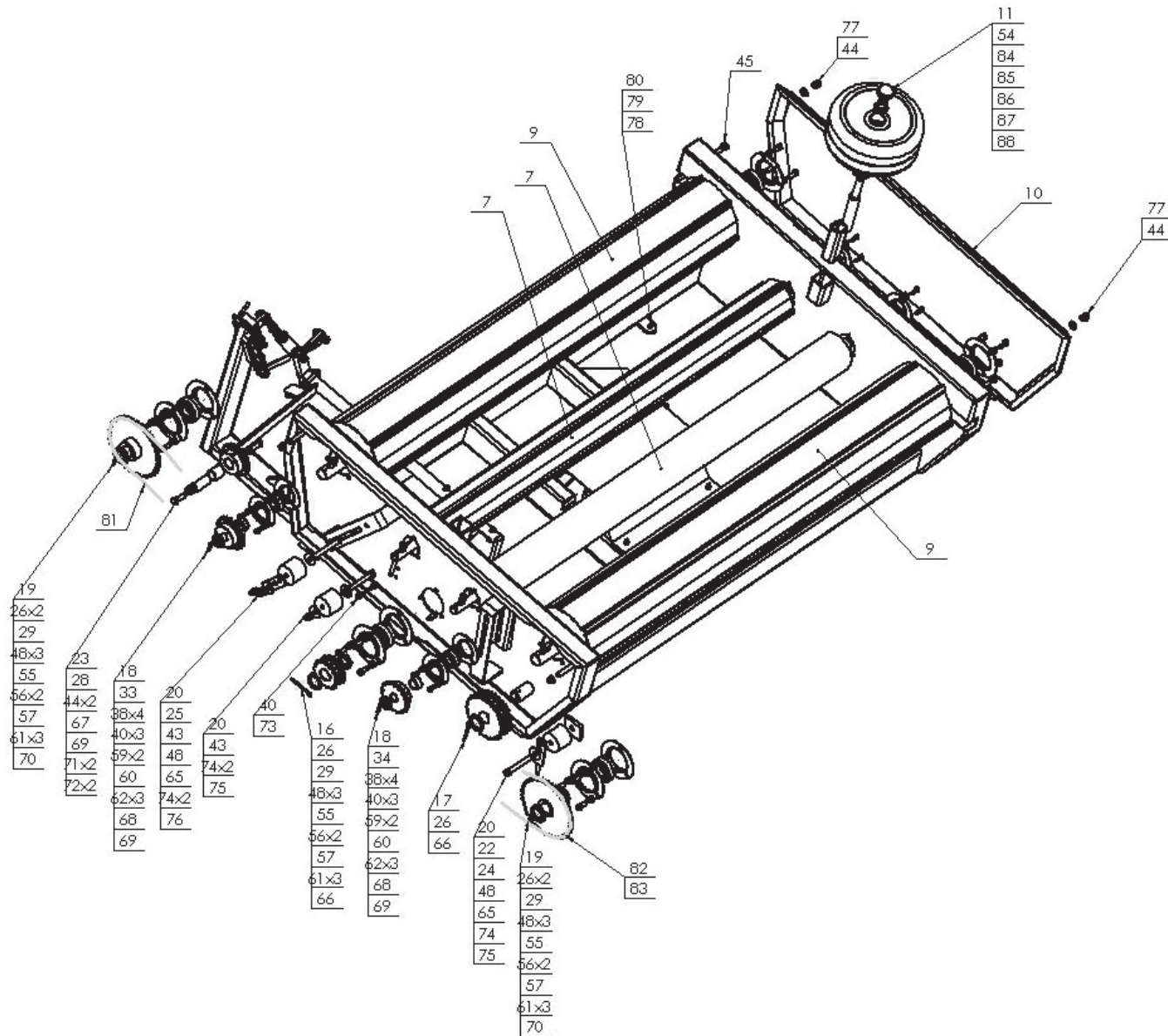


Table 3, continued

ROTARY FRAME, SET

| No. in dwg | Assembly or part description | Drawing number or index | Quantity (pieces) |
|---------------|------------------------------|-------------------------|----------------------|
| 19 | Wheel, Z-37 | Z-237 33.17.00 | 2 |
| 20 | Chain tensioner II | Z-237 33.00.27 | 3 |
| 21 | Gearbox guard | Z-237 33.00.31 | 1 |
| 22 | Block, M12 | Z-237 33.00.32 | 1 |
| 23 | Chain wheel, Z-19 | 25KLZ-237 33.00.48 | 1 |
| 24 | Chain tensioner II | Z-237 33.64.00 | 1 |
| 25 | Chain tensioner II | Z-237 33.66.00 | 1 |
| 26 | Washer | Z-237 33.00.14 | 6 |
| 27 | Cutter lever | Z-577 03.06.00 | 1 |
| 28 | Wheel axle, Z-19 | Z-237 33.00.10 | 1 |
| 29 | Spacing bushing II | Z-237 33.00.13 | 3 |
| 30 | Movable cutter holder | Z-577 03.17.51.1 | 1 |
| 31 | Rod, set | Z-577 03.17.06 | 1 |
| 32 | Initial pressure element | Z-577 03.17.80 | 1 |
| 33 | Spacing bushing III | Z-237 33.00.22 | 1 |
| 34 | Spacing bushing IV | Z-237 33.00.24 | 1 |
| 35 | Fixed cutter | 25NO | 1 |
| 36 | Movable cutter | 25NO | 1 |

ROTARY FRAME, SET

| No. in dwg | Assembly or part description | Drawing number or index | Quantity (pieces) |
|---------------|---|-------------------------|----------------------|
| 37 | Intersecting axis gear, 1:1.9 | 25PPS | 1 |
| 38 | Washer V | Z-237 33.00.25 | 8 |
| 39 | Bolt, M8x45 8.8 PN/M-82105 | 23S8/45OC 8.8 | 2 |
| 40 | Nut M8 PN/M-82175 | 23NS8OC | 20 |
| 41 | Straight grease nipple, M6x1 PN/M-86002 | 23SM | 2 |
| 42 | Bolt, M12x50 8.8 PN/M-82105 | 23S12/50OC | 1 |
| 43 | Nut, M12 PN/M-82175 | 23NS12OC | 5 |
| 44 | Washer, M12 PN/M-82005 | 23P12OC | 10 |
| 45 | Nut, M12 PN/M-82144 | 23N12OC | 8 |
| 46 | Bolt, M12x60 8.8 PN/M-82101 | 23S12/60OC 8.8 | 1 |
| 47 | Bolt, M10x45 8.8 PN/M-82105 | 23S10/45OC | 2 |
| 48 | Nut, M10 PN/M-82175 | 23NS10OC | 23 |
| 49 | Bolt, M8x70 8.8 PN/M-82101 | 23S8/70OC | 1 |
| 50 | Bolt, M6x60 8.8 PN/M-82101 | 23S6/60OC 8.8 | 3 |
| 51 | Nut, M6 PN/M-82144 | 23N6OC | 5 |
| 52 | Bolt, M6x20 8.8 PN/M-82105 | 23S6/20 | 2 |
| 53 | Washer, M8 PN/M-82005 | 23P8OOC | 2 |
| 54 | Washer, M20 PN/M-82030 | POD-ELZ-000459 | 2 |

ROTARY FRAME, SET

2/3

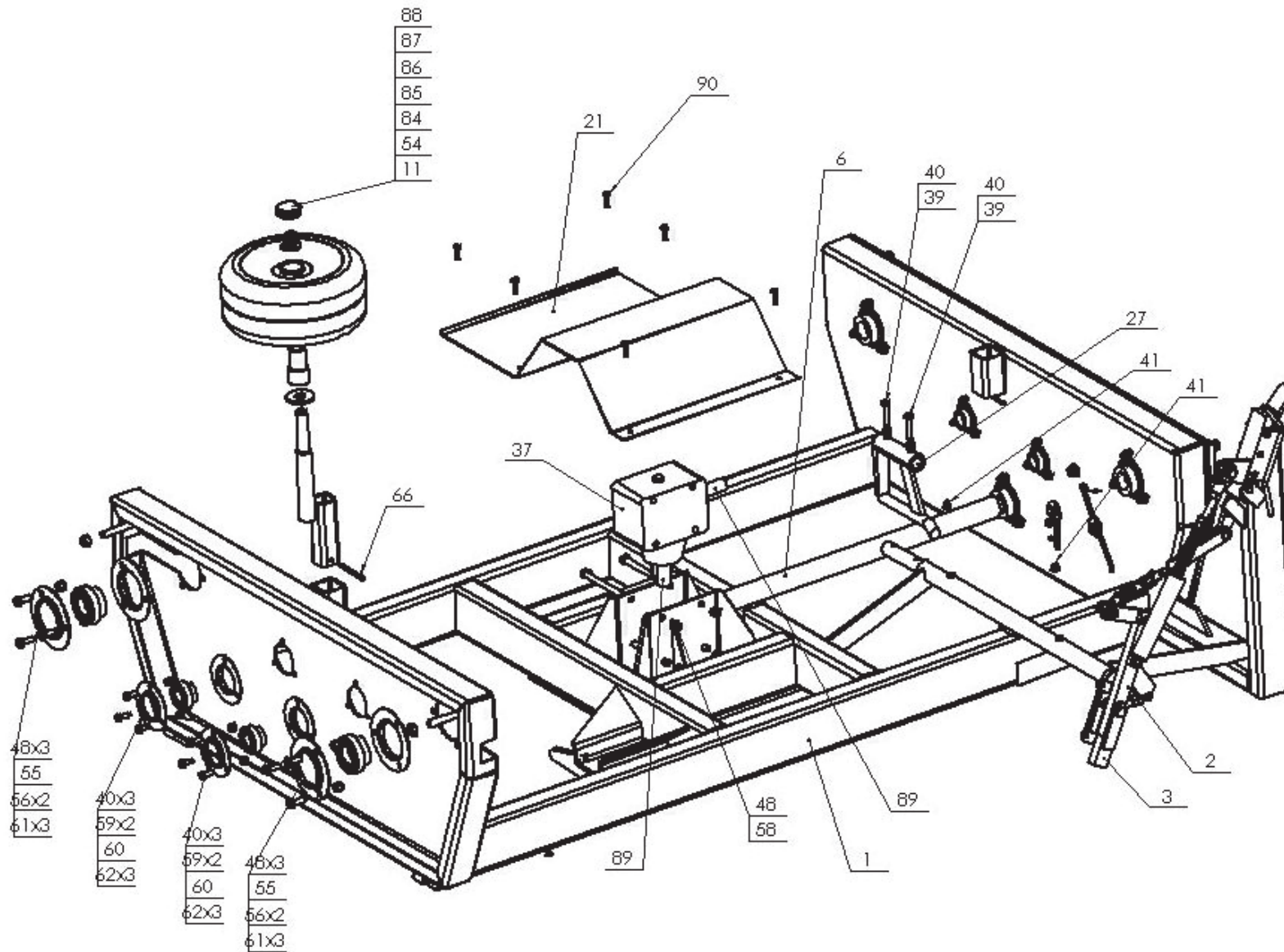


Table 3, continued

ROTARY FRAME, SET

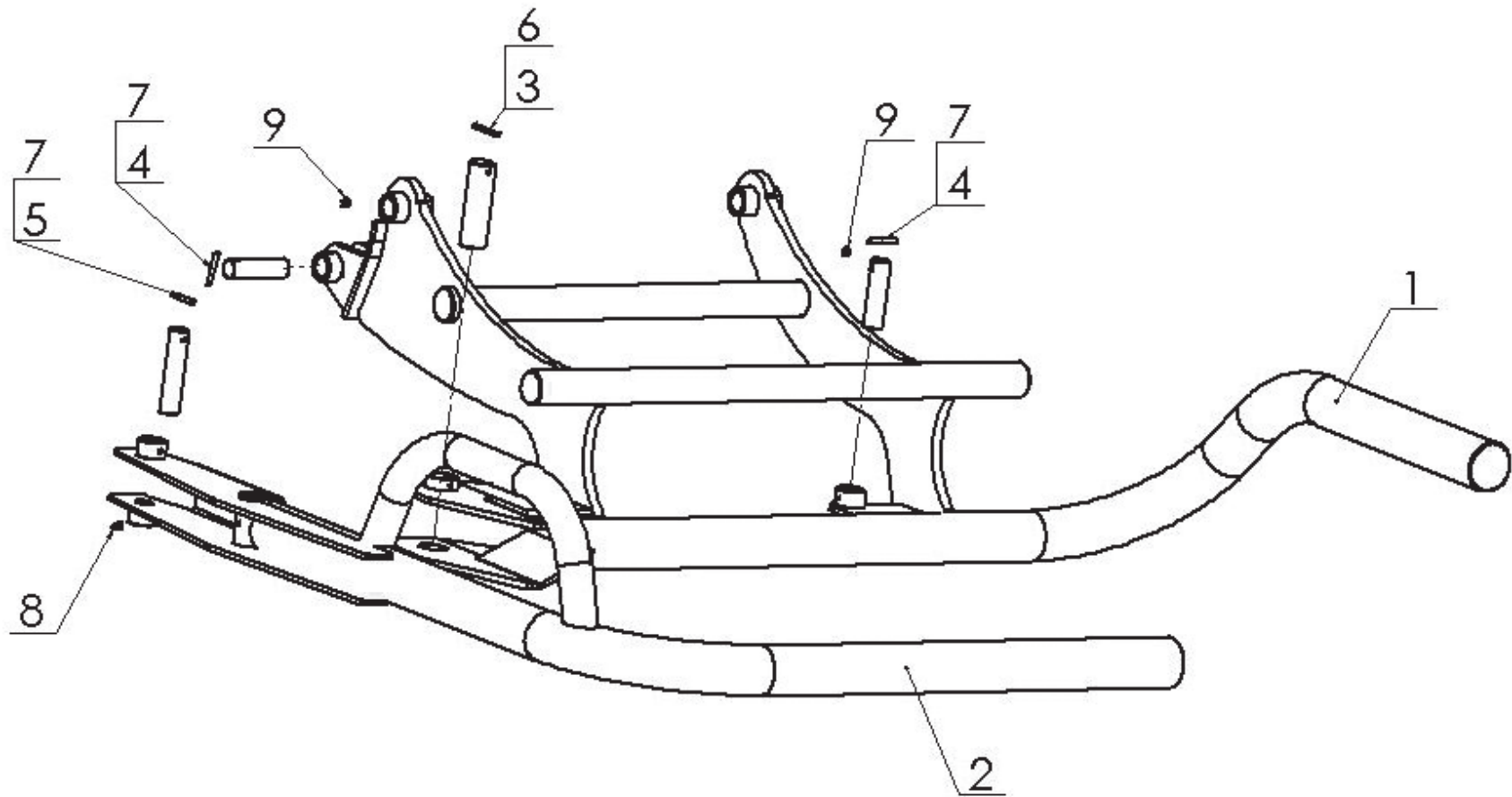
| No. in dwg | Assembly or part description | Drawing number or index | Quantity (pieces) |
|---------------|-------------------------------------|-------------------------|----------------------|
| 55 | Bearing, FD207 2RS | 25L207 | 5 |
| 56 | Bearing holder, P-207 | 25OP207 | 10 |
| 57 | Parallel key, 10x8x36 PN/M-85005 | 23WP10/8/36 | 3 |
| 58 | Bolt, M10x120 8.8 PN/M-82101 | 23S10/120OC | 4 |
| 59 | Bearing holder, P-205 | 25OP205 | 8 |
| 60 | Bearing, FD205 2RS | 25L205 | 4 |
| 61 | Bolt, M10x20 8.8 PN/M-82105 | 23S10/20OC 8.8 | 15 |
| 62 | Bolt, M8x20 8.8 PN/M-82105 | 23S8/20OC 8.8 | 12 |
| 63 | Bolt, M8x25 8.8 PN/M-82105 | 23S8/25OC8.8 | 2 |
| 64 | Nut, M8 PN/M-82144 | 23N8OC | 1 |
| 65 | Washer, M10 PN/M-82005 | 23P10 82005 | 4 |
| 66 | Cotter pin, Ø6.3x63 PN/M-82001 | 23Z6/63 | 4 |
| 67 | Self-lubricating bush, 25H7/32.6x35 | 25T25/32,6/35 | 1 |
| 68 | Parallel key, 8x7x25 PN/M-85005 | 23WP8/7/25 | 2 |
| 69 | Spring pin, Ø6x32 PN/M-85023 | 23K6/32 | 3 |
| 70 | Spring pin, Ø6x45 PN/M-85023 | 23K6/45 | 2 |
| 71 | Washer, M12 PN/M-82008 | 23P12SP | 2 |
| 72 | Bolt, M12x35 8.8 PN/M-82105 | 23S12/35OC 8.8 | 2 |

Table 3, continued

ROTARY FRAME, SET

| No. in dwg | Assembly or part description | Drawing number or index | Quantity (pieces) |
|---------------|---|-------------------------|----------------------|
| 73 | Bolt, M8x35 8.8 PN/M-82105 | 23S8/35OC 8.8 | 1 |
| 74 | Washer, M12 PN/M-82030 | 23P12OOC | 5 |
| 75 | Bolt, M12x90 8.8 PN/M-82101 | 23S12/90 101OC | 2 |
| 76 | Bolt, M12x100 8.8 PN/M-82101 | 23S12/100OOC 8.8 | 1 |
| 77 | Nut, M12 PN/M-82181 | 23N12KOL | 4 |
| 78 | Sensor magnet | 25MG | 1 |
| 79 | Bolt, M6x25 PN/M-82208 | 23W6/25OC | 1 |
| 80 | Nut, M6 PN/M-82175 | 23NS6OC | 1 |
| 81 | Roller chain, 10B-1-99 WZ PN77/M-84168 | 25LO10B1 99OGN. | 1 |
| 82 | Roller chain, 10B-1-93 PN77/M-84168 | 25LO10B1 93OGN | 1 |
| 83 | Straight fastening link, 10B1 PN77/M-84168 | 25LO10P | 1 |
| 84 | Side wheel | Z-552 05.02.00 | 2 |
| 85 | Wheel bushing | Z-552 05.00.03 | 2 |
| 86 | Washer, M20 PN/M-82005 | 23P20OOC | 2 |
| 87 | External Seger ring, Z-20 PN/M-85111 | 23SZ20 | 2 |
| 88 | Plug, Ø45 mm 111610 | POD-TSZ-000066 | 2 |
| 89 | Parallel key, 8x7x32 PN/M-85005 | | 2 |
| 90 | Self-tapping screw, 6.3x25, head for a wrench | 28W6.3x25 OC | 6 |

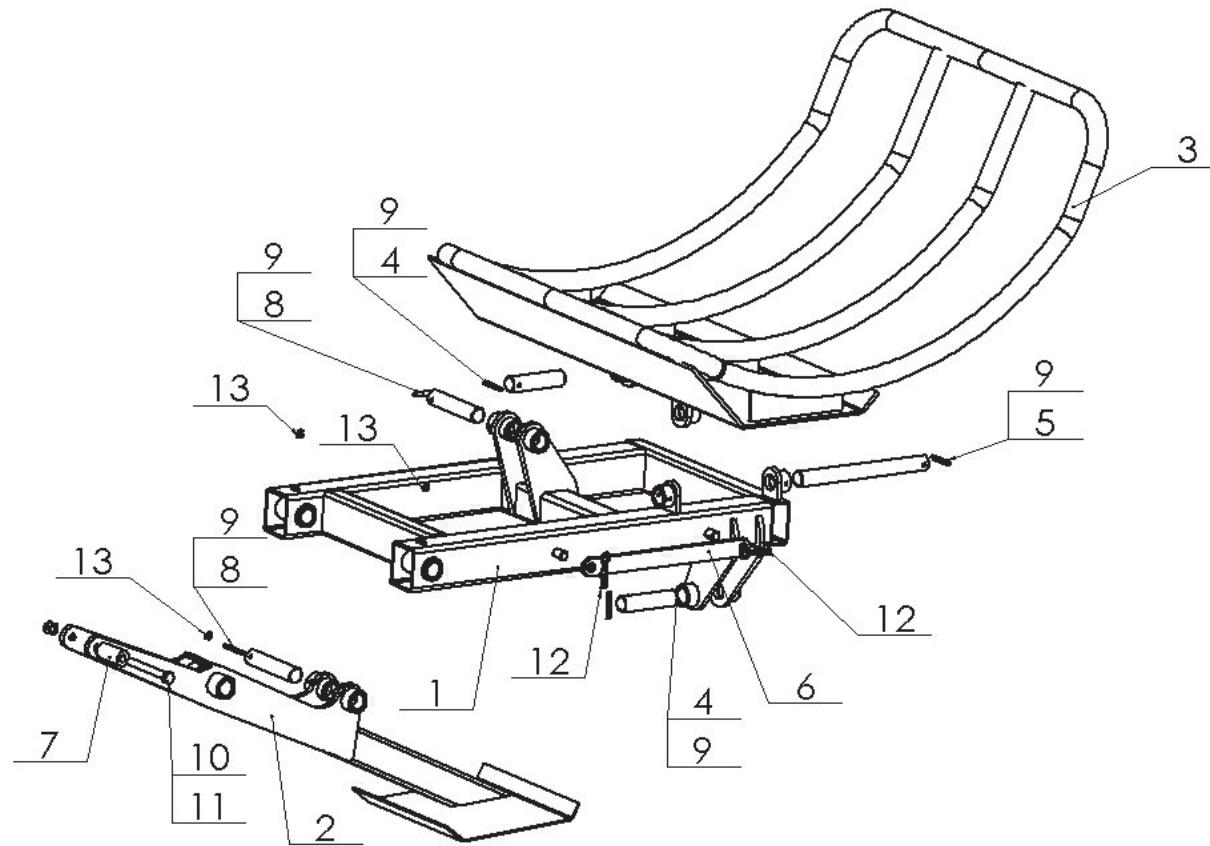
LOADING ARM, SET



LOADING ARM, SET

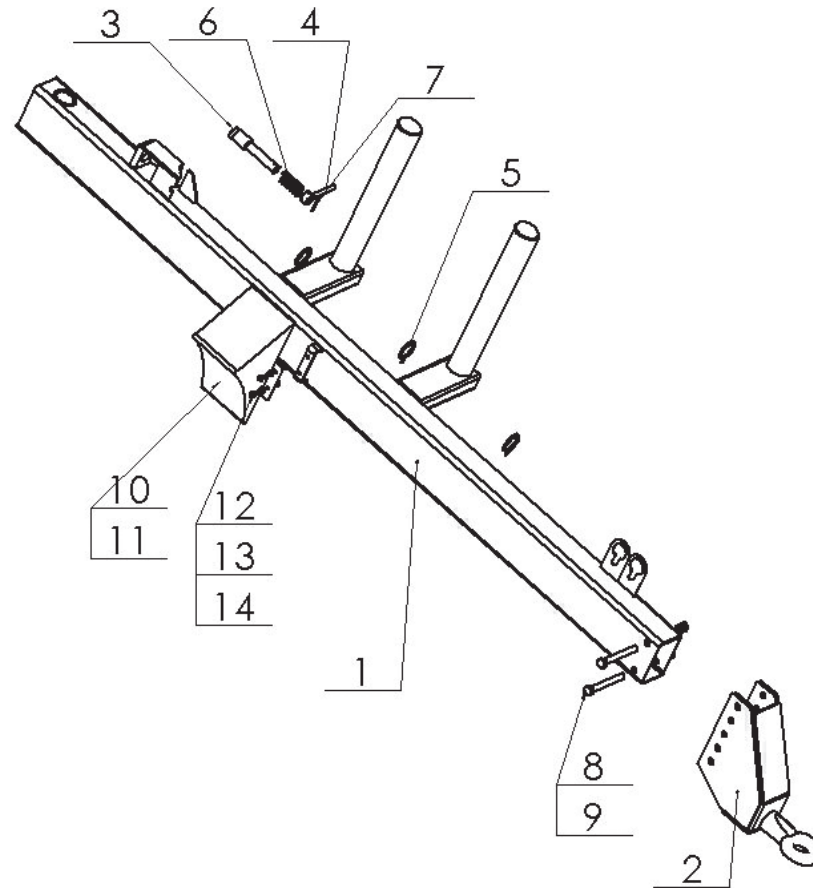
| No. in dwg | Assembly or part description | Drawing number or index | Quantity (pieces) |
|---------------|--|-------------------------|----------------------|
| 1 | Arm I | Z-593 04.01.00 | 1 |
| 2 | Arm II | Z-593 04.02.00 | 1 |
| 3 | Pin I | Z-593 04.00.03 | 1 |
| 4 | Pin II | Z-593 04.00.04 | 2 |
| 5 | Pin III | Z-593 04.00.05 | 1 |
| 6 | Spring pin, Ø8x70 PN/M-82023 | POD-ELZ-000020-1 | 1 |
| 7 | Spring pin, Ø8x60 PN/M-82023 | POD-ELZ-000009-1 | 3 |
| 8 | Straight grease nipple, M10x1 PN/M-86002 | 23SM10/1 | 1 |
| 9 | Straight grease nipple, M6x1 PN/M-86002 | 23SM | 2 |

BALE POSITIONING DEVICE



| BALE POSITIONING DEVICE | | | |
|--------------------------------|--|--------------------------------|------------------------------|
| No. in dwg | Assembly or part description | Drawing number or index | Quantity (pieces) |
| 1 | Device arm | Z-593 05.01.00 | 1 |
| 2 | Foot | Z-593 05.02.00 | 1 |
| 3 | Cradle | Z-593 05.03.00 | 1 |
| 4 | Pin I | Z-593 05.00.04 | 2 |
| 5 | Cradle pin | Z-593 05.00.05 | 1 |
| 6 | Protection | Z-593 05.00.06.1 | 1 |
| 7 | Roller | Z-593 05.00.07 | 1 |
| 8 | Pin IV | Z-593 01.00.06 | 2 |
| 9 | Spring pin, Ø8x60 PN/M-85023 | POD-ELZ-000009-1 | 5 |
| 10 | Bolt, M16x140 8.8 PN/M-82101 | 23S16/140OC 8.8 | 1 |
| 11 | Nut, M16 PN/M-82175 | 23NS16OC | 1 |
| 12 | Spring cotter pin, single, Ø4 DIN 11024 | 23ZRFI4 | 2 |
| 13 | Straight grease nipple, M10x1 PN/M-86002 | 23SM10/1 | 3 |

HITCH, SET

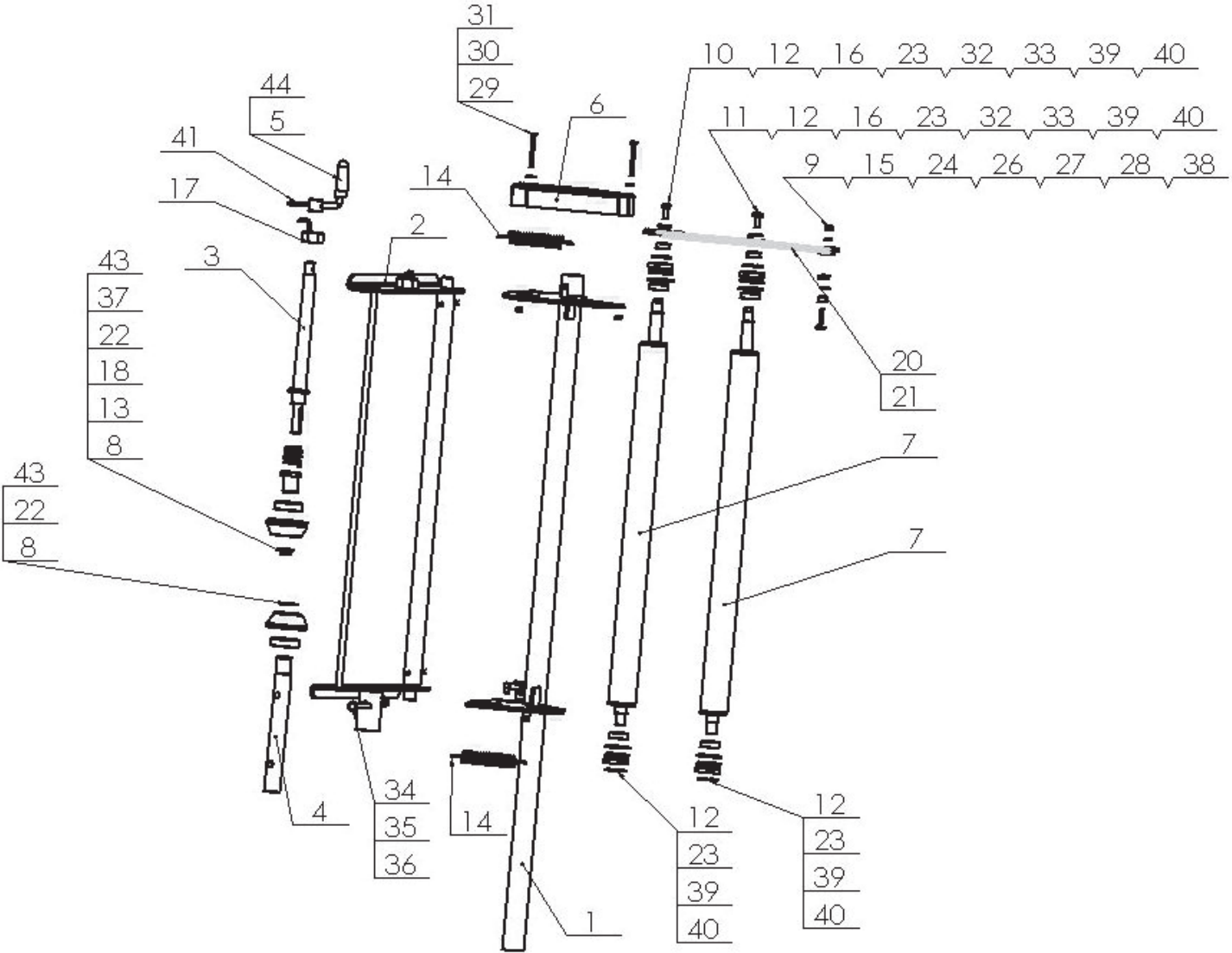


HITCH, SET

| No. in dwg | Assembly or part description | Drawing number or index | Quantity (pieces) |
|---------------|------------------------------|-------------------------|----------------------|
| 1 | Hitch I | Z-593 06.01.00 | 1 |
| 2 | Hitch II | Z-593 06.02.00 | 1 |
| 3 | Locking pin | Z-593 06.00.03 | 1 |
| 4 | Handle | Z-593 06.04.00 | 1 |
| 5 | Fixing element | Z-593 06.05.00 | 3 |
| 6 | Lock spring | POD-SPR-000050 | 1 |
| 7 | Spring pin, Ø6x40 PN/M-85023 | 23K6/40 | 1 |
| 8 | Bolt, M16x140 8.8 PN/M-82101 | 23S16/140OC 8.8 | 2 |
| 9 | Nut, M16 PN/M-82175 | 23NS16Oc | 2 |
| 10 | Wheel chock | POD-OGL-000027-1 | 1 |
| 11 | Chock handle | POD-OGL-000028-1 | 1 |
| 12 | Bolt, M8x20 8.8 PN/M-82105 | 23S8/20OC 8.8 | 4 |
| 13 | Washer, M8 PN/M-82005 | 23POOC | 4 |
| 14 | Nut M8 PN/M-82175 | 23NS8OC | 4 |

WRAPPING FILM FEEDER, SET

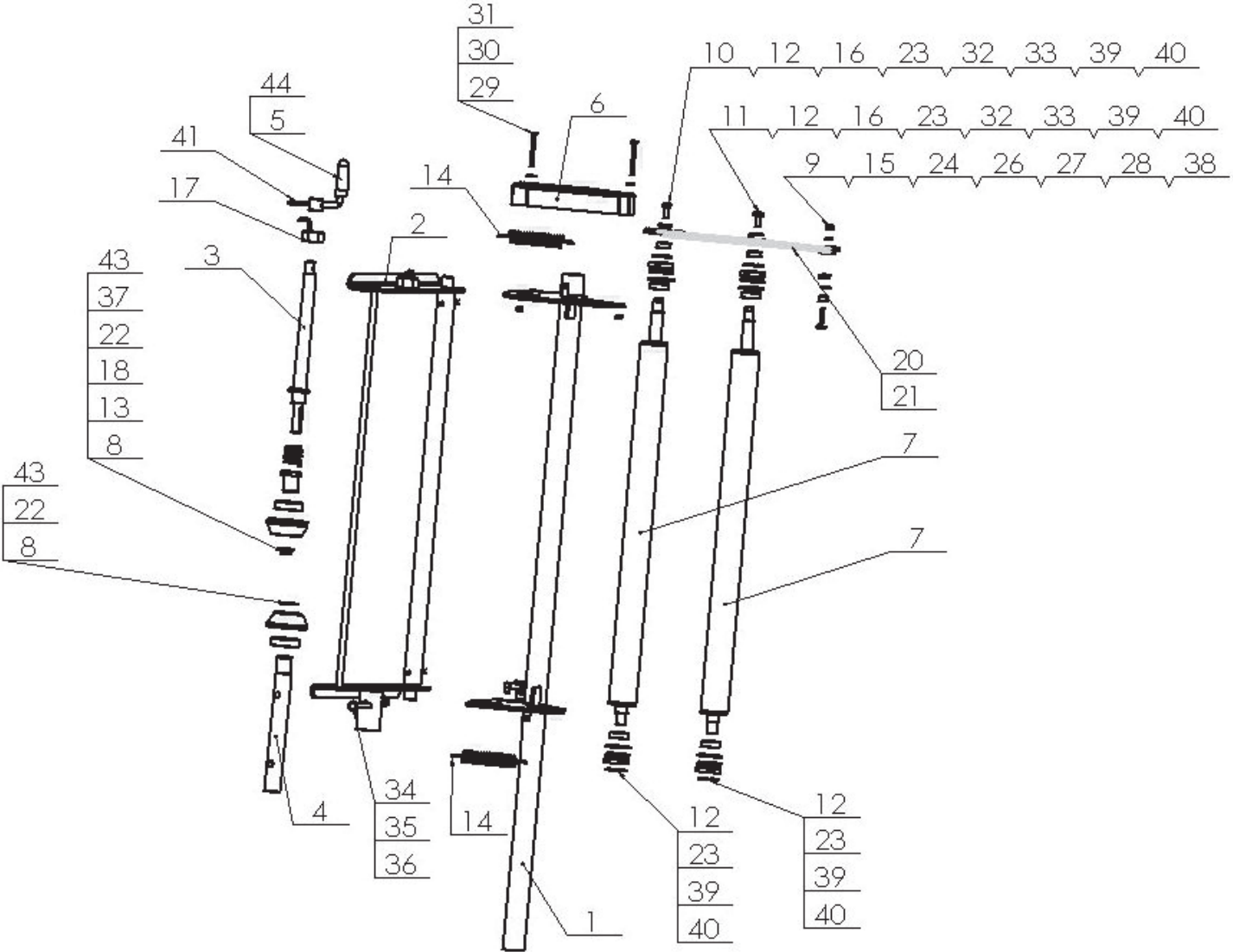
1/2



| WRAPPING FILM FEEDER, SET | | | |
|----------------------------------|-------------------------------------|--------------------------------|------------------------------|
| No. in dwg | Assembly or part description | Drawing number or index | Quantity (pieces) |
| 1 | Mounting bracket | Z-593 07.01.00 | 1 |
| 2 | Wrapping film bracket, set | Z-593 02.02.00 | 1 |
| 3 | Adjusting screw, ver. 2 | 25OSRZ-560 02.36.00/1 | 1 |
| 4 | Lower roll | 25WDZ-560 02.00.35/1 | 1 |
| 5 | Handle, set | Z-560 02.37.00.1 | 1 |
| 6 | Cover | POD-TSZ-000033 | 1 |
| 7 | Stretcher roll, set | Z-560 02.24.00 | 2 |
| 8 | Upper pressure element | Z-560 02.00.41.1 | 2 |
| 9 | Chain wheel, Z-11 | 25KLZ-560 02.00.09 | 1 |
| 10 | Chain wheel, Z-21 | 25KLZ-560 02.00.32 | 1 |
| 11 | Chain wheel, Z-12 | 25KLZ-560 02.00.030 | 1 |
| 12 | Roll holder | 25ZSZ-577 02.00.25 | 4 |
| 13 | Feeder spring II | 23S4/32/50 | 1 |
| 14 | Spring I | 23SPN3/23/135 MAZ1771/1 | 2 |
| 15 | Spacing bushing II | 25ZSZ-577 02.00.08 | 1 |
| 16 | Spacing bushing III | 25TDZ-560 02.00.26 | 2 |
| 17 | Locknut, M27 | Z-560 02.38.00 | 1 |
| 18 | Bushing | 25TZ-560 02.00.31 | 1 |

WRAPPING FILM FEEDER, SET

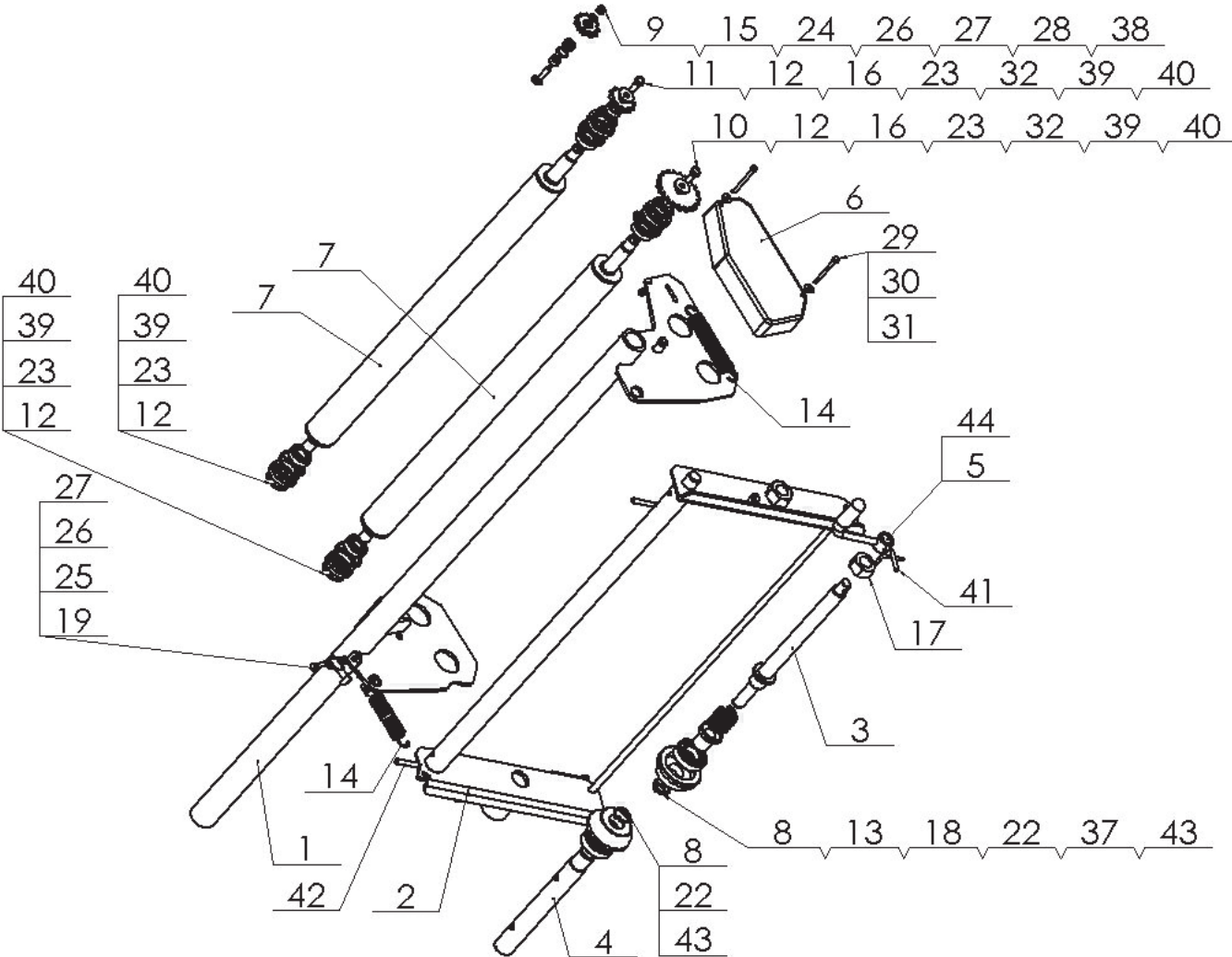
1/2



| WRAPPING FILM FEEDER, SET | | | |
|----------------------------------|--|--------------------------------|------------------------------|
| No. in dwg | Assembly or part description | Drawing number or index | Quantity (pieces) |
| 19 | Lock | Z-560 02.00.04 | 1 |
| 20 | Roller chain, 08B-1-43 PN77/M-84168 | 25LO08B1 43OGN | 1 |
| 21 | Straight fastening link, 08B1 PN77/M-84168 | 25LO08P | 1 |
| 22 | Bearing, 6206 2RS | 25L6206 | 2 |
| 23 | Bearing, 6004 2RS | 25L6004 | 4 |
| 24 | Bearing, 608 2RS | 25L608 2RS | 1 |
| 25 | Bolt, M8x30 8.8 PN/M-82105 | 23S8/30OC 8.8 | 1 |
| 26 | Nut M8 PN/M-82175 | 23NS8OC | 2 |
| 27 | Washer, M8 PN/M-82005 | 23P8OOC | 2 |
| 28 | Bolt, M8x40 8.8 PN/M-82406 | 23S8/40P | 1 |
| 29 | Bolt, M6x60 8.8 PN/M-82101 | 23S6/60OC 8.8 | 2 |
| 30 | Nut, M6 PN/M-82175 | 23NS6OC | 2 |
| 31 | Washer, M6 PN/M-82030 | 23P6OC030 | 2 |
| 32 | Bolt, M10x25 8.8 PN/M-82105 | 23S10/25OC 8.8 | 2 |
| 33 | Washer, M10 PN/M-82030 | 23P10 OC030 | 2 |
| 34 | Bolt, M12x70 8.8 PN/M-82101 | 23S12/70OC 8.8 | 1 |
| 35 | Nut, M12 PN/M-82175 | 23NS12OC | 1 |
| 36 | Washer, M12 PN/M-82005 | 23P12OC | 1 |

WRAPPING FILM FEEDER, SET

2/2



| WRAPPING FILM FEEDER, SET | | | |
|----------------------------------|--------------------------------------|--------------------------------|------------------------------|
| No. in dwg | Assembly or part description | Drawing number or index | Quantity (pieces) |
| 37 | External Seger ring, Z-20 PN/M-85111 | 23SZ20 | 1 |
| 38 | Internal Seger ring, W-22 PN/M-85111 | 23SW22 | 1 |
| 39 | Internal Seger ring, W-42 PN/M-85111 | 23SW42 | 4 |
| 40 | External Seger ring, Z-50 PN/M-85111 | 23SZ50 | 4 |
| 41 | Spring pin, Ø6x45 PN/M-85023 | 23K6/45 | 1 |
| 42 | Spring pin, Ø8x50 PN/M-85023 | 23K8/50 | 2 |
| 43 | External Seger ring, Z-30 PN/M-85111 | 23SZ30 | 2 |
| 44 | Holder grip | 25RP | 1 |

Hydraulic system

1/4

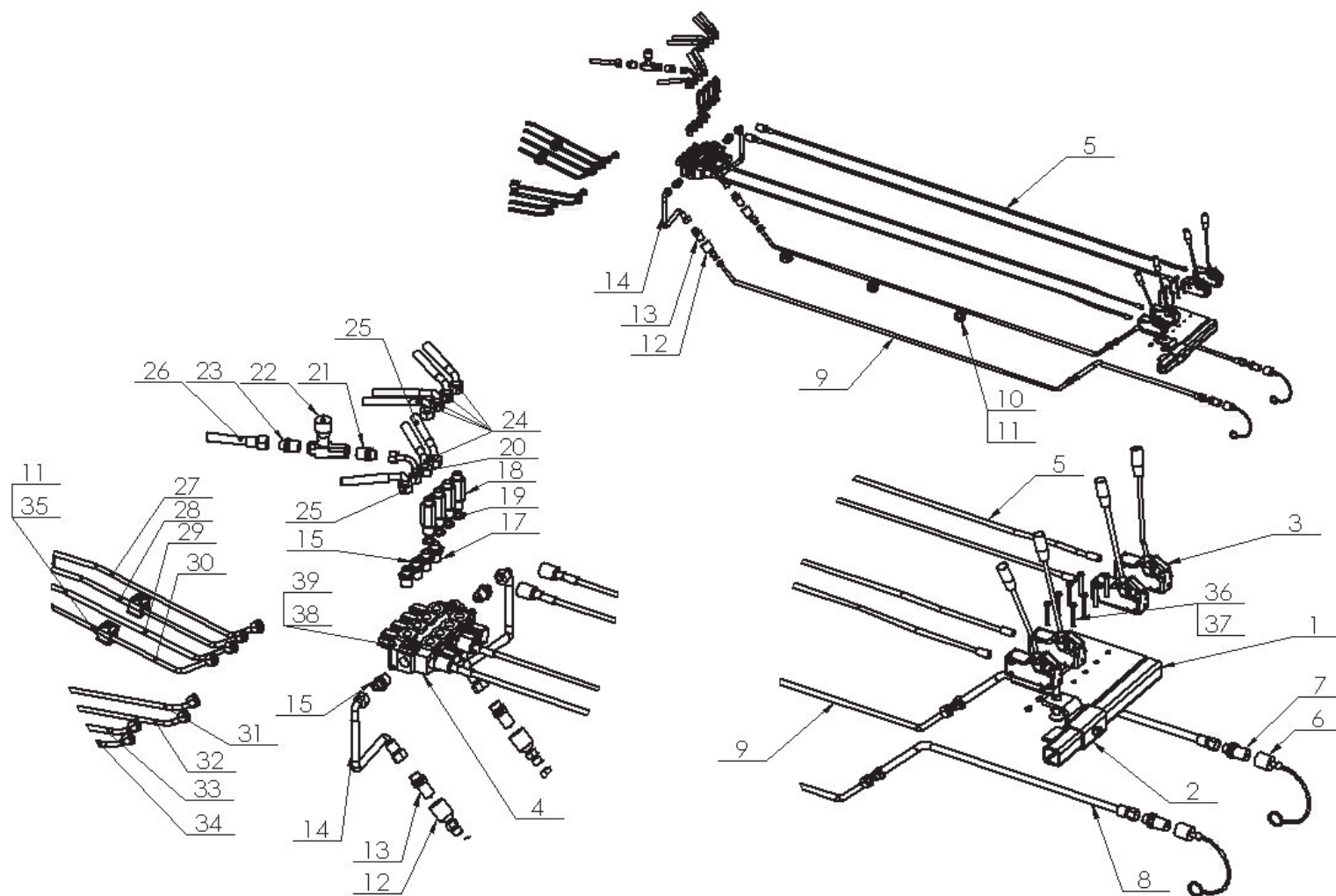


Table 8

HYDRAULIC SYSTEM

| No. in dwg | Assembly or part description | Drawing number or index | Quantity (pieces) |
|---------------|--|-------------------------|----------------------|
| 1 | Lever bracket | Z-593 08.06.00 | 1 |
| 2 | DCV grip | Z-237 00.54.00 | 1 |
| 3 | Control lever to cable | 24DZS | 4 |
| 4 | MD4 directional control valve to cable | 24R4-SEK. | 1 |
| 5 | Control cable, L-4500 | POD-HPR-000142 | 4 |
| 6 | Euro plug valve cap | 24ZWNE13 | 4 |
| 7 | Euro 13 valve-plug, M18x1.5 | 24ZWE13-M18X1.5 | 2 |
| 8 | Hydraulic line AB/111/10 L=1500 | POD-HPR-000329 | 2 |
| 9 | Steel hydraulic line, Z593 00.00.28 L=1960 | POD-HPR-000288 | 2 |
| 10 | HBK Ø12 holder – double | POD-HPZ-000010-1 | 3 |
| 11 | Bolt, M6x50 PN/M-82101 8.8 | 23S6/50OC | 22 |
| 12 | Euro valve-plug, M18x1.5 | 24ZG M18/1.5 | 2 |
| 13 | Euro 13 valve-plug, M22x1.5 | 24ZWE13 | 2 |
| 14 | Hydraulic line AA90/141/10 L=600 | POD-HPR-000133 | 2 |
| 15 | Straight coupling, 1/2"x18-1.5 | 24KP1/2 18 | 3 |
| 16 | | | |
| 17 | Straight coupling, 1/2"x16-1.5 | 24KP1/2 16 | 5 |
| 18 | Straight coupling, 1/2"-16-1.5 L-59 | 24K1/2-16X1.5 L-59 | 4 |

Hydraulic system

2/4

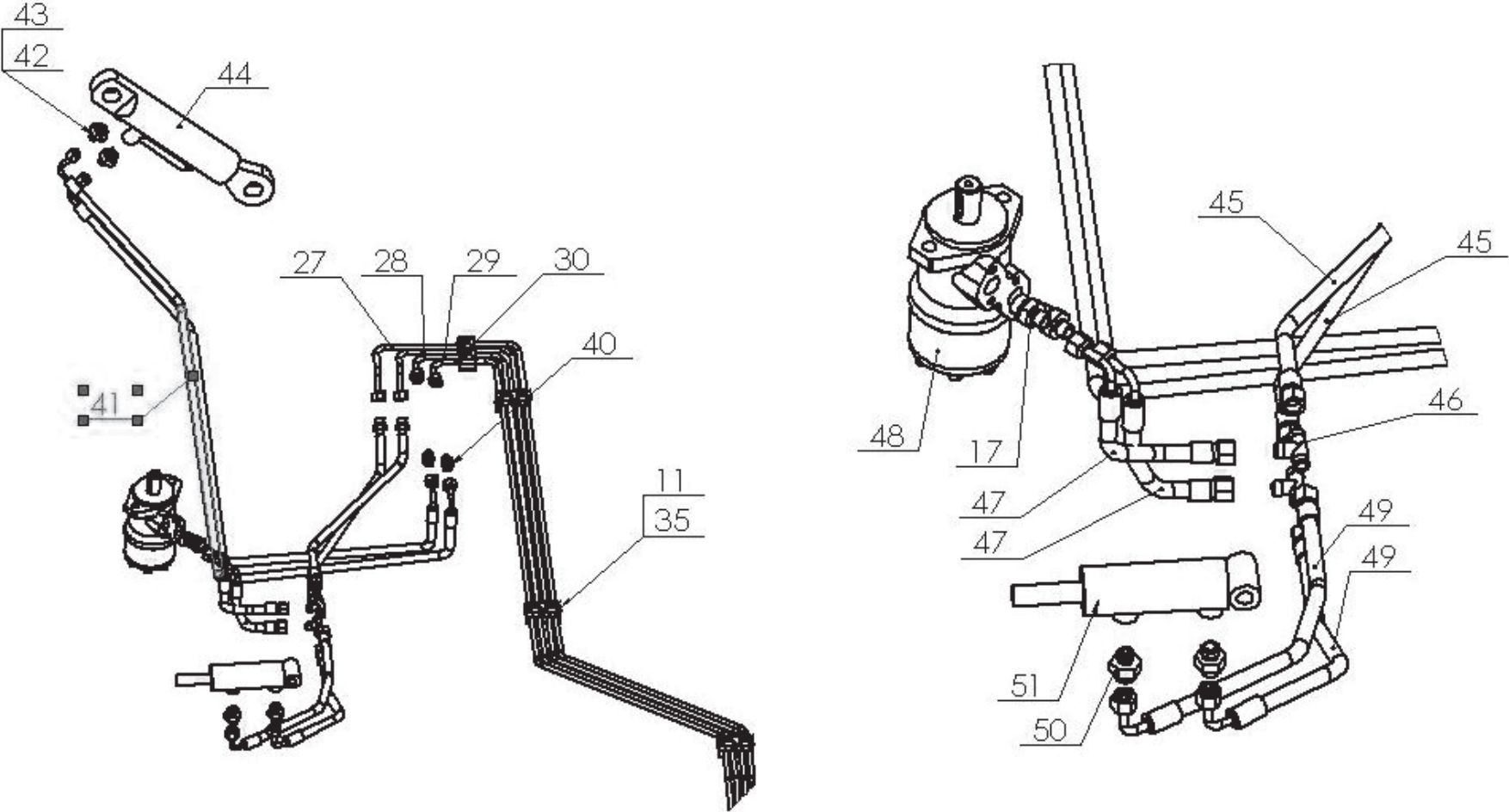


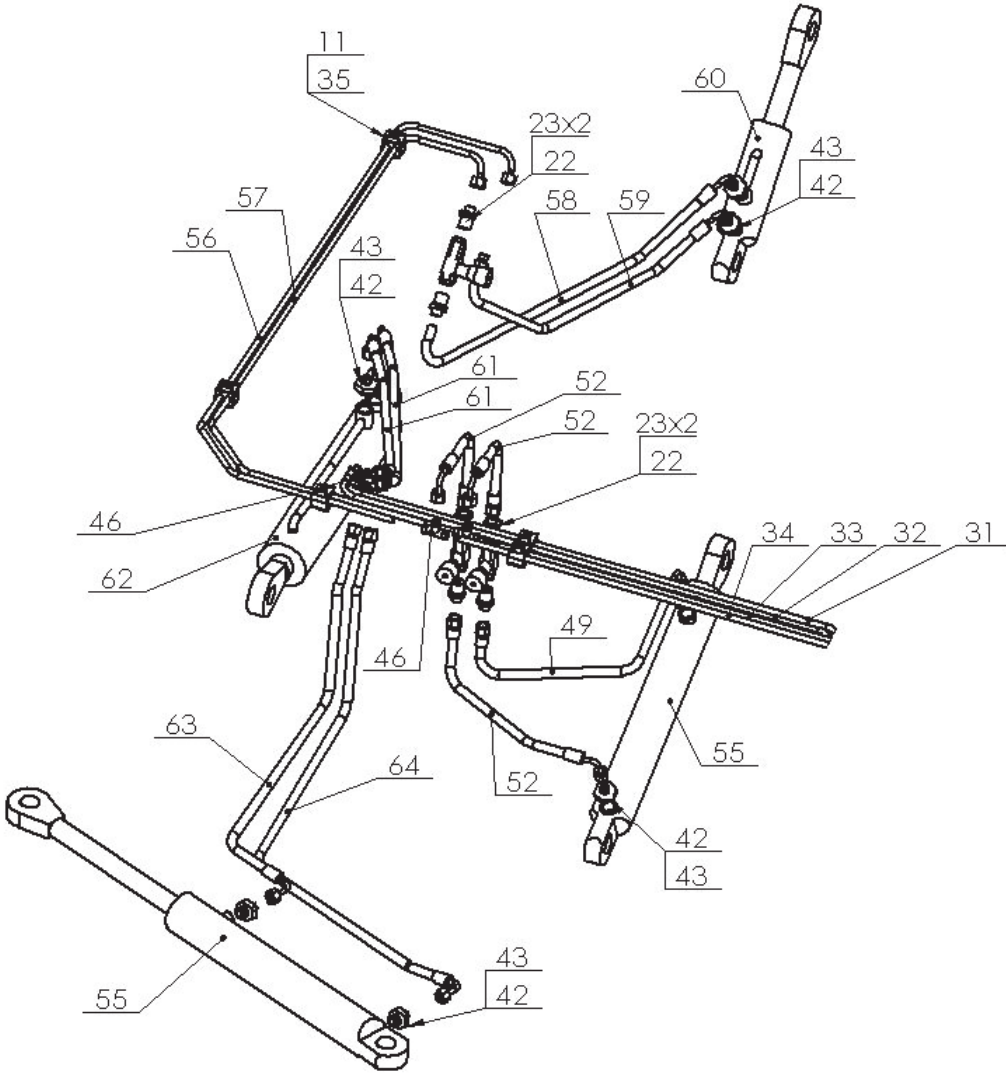
Table 8, continued

HYDRAULIC SYSTEM

| No. in dwg | Assembly or part description | Drawing number or index | Quantity (pieces) |
|---------------|--|-------------------------|----------------------|
| 19 | O-ring, PPM 1/2" | POD-HPZ-000044-1 | 4 |
| 20 | Elbow female union piece, 18/18x1.5 | 24KZ18/18 | 1 |
| 21 | Straight coupling, 3/8"x18-1.5 | 23KP3/8 18 | 1 |
| 22 | Throttle-check valve, VRFU 90-3/8 | 24ZD | 4 |
| 23 | Straight coupling, 3/8"x16-1.5 | 24KP3/8 16 | 7 |
| 24 | Hydraulic line A90B/111/8 L=800 | POD-HPR-000136 | 5 |
| 25 | Hydraulic line A90B/111/8 L=750 | POD-HPR-000140 | 2 |
| 26 | Hydraulic line AB/111/8 L=650 | POD-HPR-000139 | 1 |
| 27 | Steel hydraulic line, Z593 00.00.26 L=2330 | POD-HPR-000336 | 1 |
| 28 | Steel hydraulic line, Z593 00.00.27 L=2230 | POD-HPR-000337 | 1 |
| 29 | Steel hydraulic line, Z593 00.00.30 L=2130 | POD-HPR-000338 | 1 |
| 30 | Steel hydraulic line, Z593 00.00.31 L=2060 | POD-HPR-000289 | 1 |
| 31 | Steel hydraulic line, Z593 00.00.24 L=1620 | POD-HPR-000334 | 1 |
| 32 | Steel hydraulic line, Z593 00.00.25 L=1660 | POD-HPR-000335 | 1 |
| 33 | Steel hydraulic line, Z593 00.00.23 L=1275 | POD-HPR-000333 | 1 |
| 34 | Steel hydraulic line, Z593 00.00.22 L=1335 | POD-HPR-000332 | 1 |
| 35 | HBK Ø10 holder – double | POD-HPZ-000029-1 | 19 |
| 36 | Bolt, M6x60 PN/M-82101 8.8 | 23S6/60OC 8.8 | 8 |

Hydraulic system

3/4

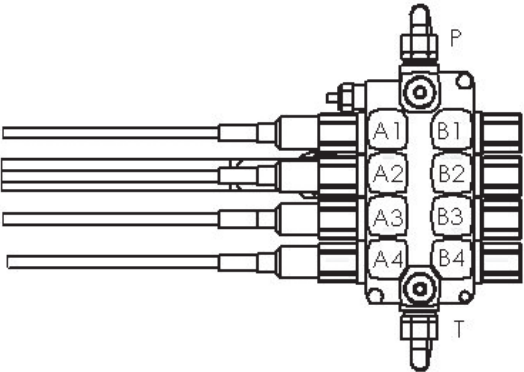


HYDRAULIC SYSTEM

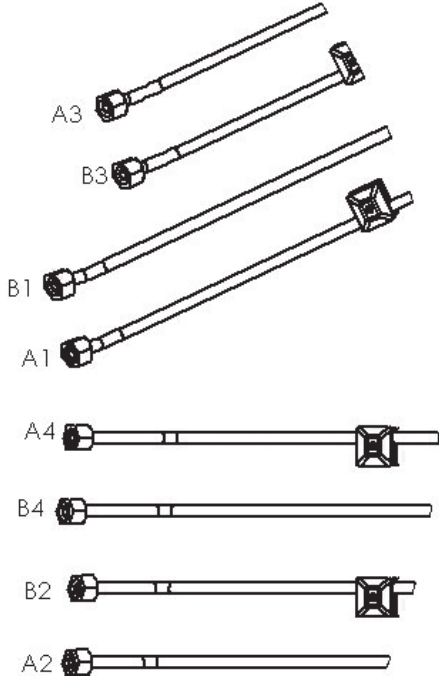
| No. in dwg | Assembly or part description | Drawing number or index | Quantity (pieces) |
|---------------|--|-------------------------|----------------------|
| 37 | Nut, M6 PN/M-82175 | 23NS6OC | 8 |
| 38 | Bolt, M8x60 PN/M-82101 8.8 | 23S8/60OC 8.8 | 2 |
| 39 | Nut M8 PN/M-82175 | 23NS8OC | 2 |
| 40 | Straight coupling, 16x16-1.5 10L | POD-HKR-000083 | 2 |
| 41 | Hydraulic line A90A90/111/8 L=1600 K180° | POD-HPR-000137 | 2 |
| 42 | Straight coupling, 22x16-1.5 | POD-HKR-000004-1 | 10 |
| 43 | O-ring, PPM 22 | 24UPPM22 | 10 |
| 44 | Actuator, CJ2F-63/36/144 | POD-HSL-000019-1 | 1 |
| 45 | Hydraulic line AB/111/8 L=550 | POD-HPR-000131 | 2 |
| 46 | T-connection coupling, 16x16x16 | 24KT16/16/16 | 6 |
| 47 | Hydraulic line AA90/111/8 L=300 | POD-HPR-000150 | 2 |
| 48 | Hydraulic motor, 200 | 24S200 | 1 |
| 49 | Hydraulic line AA90/111/8 L=600 | POD-HPR-000132 | 3 |
| 50 | Straight coupling, 18x16-1.5 | POD-HKR-000076 | 2 |
| 51 | Actuator, CJ2F40/22/65 | 24SCJ2F40/22/65 | 1 |
| 52 | Hydraulic line AA90/111/8 L=550 | POD-HPR-000141 | 3 |
| 53 | | | |
| 54 | | | |

Hydraulic system

4/4



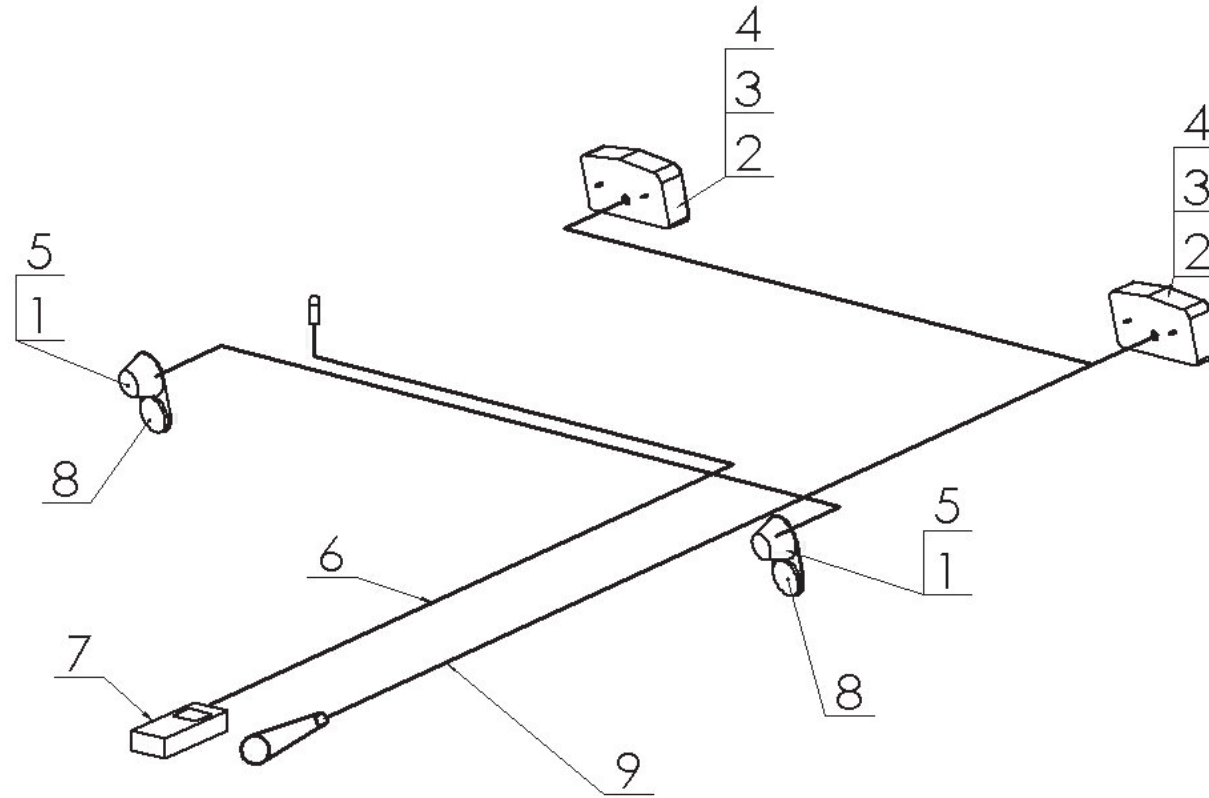
A1, A2, A3, A4, B3 – hydraulic line no. 24
B1, B4 – hydraulic line no. 25
B2 – hydraulic line no. 26



HYDRAULIC SYSTEM

| No. in dwg | Assembly or part description | Drawing number or index | Quantity (pieces) |
|---------------|--|-------------------------|----------------------|
| 55 | Actuator, CJ2F63/36/320z | 24SCJ2F63/36/320z | 2 |
| 56 | Steel hydraulic line, Z593 00.00.20 L=1740 | POD-HPR-000330 | 1 |
| 57 | Steel hydraulic line, Z593 00.00.21 L=1670 | POD-HPR-000331 | 1 |
| 58 | Hydraulic line AA90/111/8 L=1100 | POD-HPR-000135 | 1 |
| 59 | Hydraulic line A90B/111/8 L=1000 | POD-HPR-000138 | 1 |
| 60 | Actuator, CJ2F-63/36/200 | POD-HSL-000020-1 | 1 |
| 61 | Hydraulic line, AA90/111/8 L=750 | POD-HPR-000149 | 2 |
| 62 | Actuator, UCJ160-80/45/320 | POD-HSL-000037 | 1 |
| 63 | Hydraulic line AA90/111/8 L=900 | POD-HPR-000134 | 1 |
| 64 | Hydraulic line AA90/111/8 L=1300 | POD-HPR-000287 | 1 |

Electrical system



ELECTRICAL SYSTEM

| No. in dwg | Assembly or part description | Drawing number or index | Quantity (pieces) |
|---------------|-----------------------------------|-------------------------|----------------------|
| 1 | Front parking lamp, E92D | 26LP | 2 |
| 2 | Tail cluster lamp, LT-90 | 26LT | 2 |
| 3 | Light bulb, 12V 21/5W | 26Z12V21/5W | 2 |
| 4 | Light bulb, 12V21W | 26Z12V21W | 2 |
| 5 | Light bulb, 12V5W | 26Z12V5W | 2 |
| 6 | Counter cable, L-02 6.5m XLR Z593 | POD-ELK-000070 | 1 |
| 7 | Counter, L-02 XLR Z-237, Z-577 | POD-ELK-000073 | 1 |
| 8 | White round reflective light | POD-ELK-000089 | 2 |
| 9 | Electric wires bundle | POD-ELK-000141 | 1 |