

MF



**MF**  
**METAL-FACH**

16 - 100 SOKÓŁKA, ul. KRESOWA 62

## FRONT LOADER T248 PARTS CATALOGUE

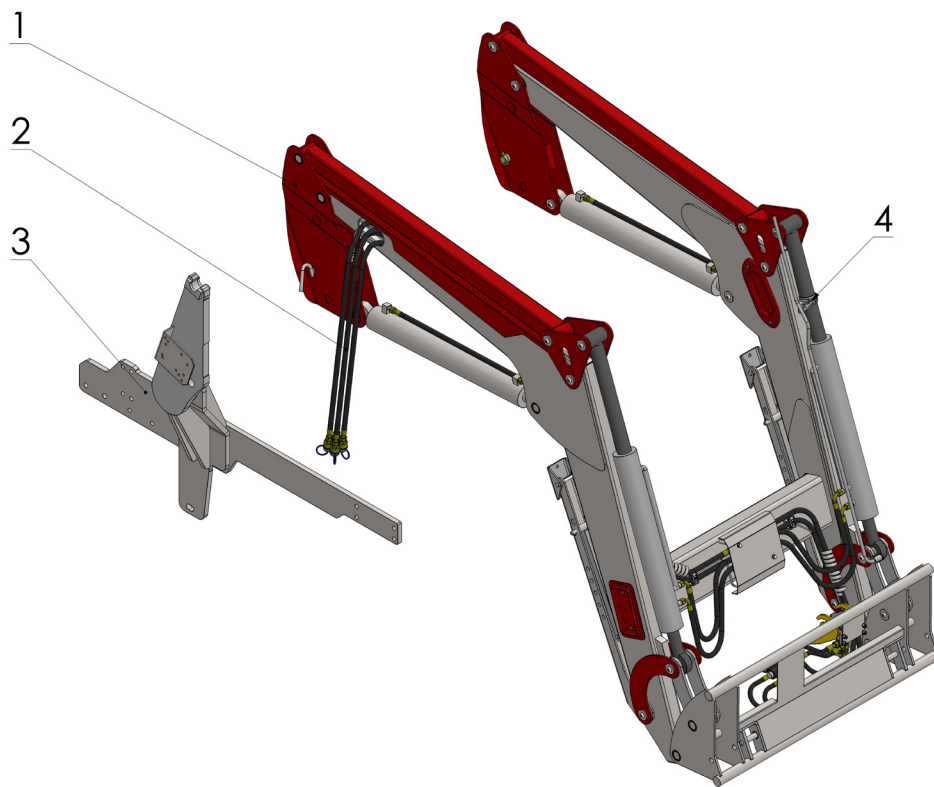
EDITION I, 2016 EN



## TABLE OF CONTENTS

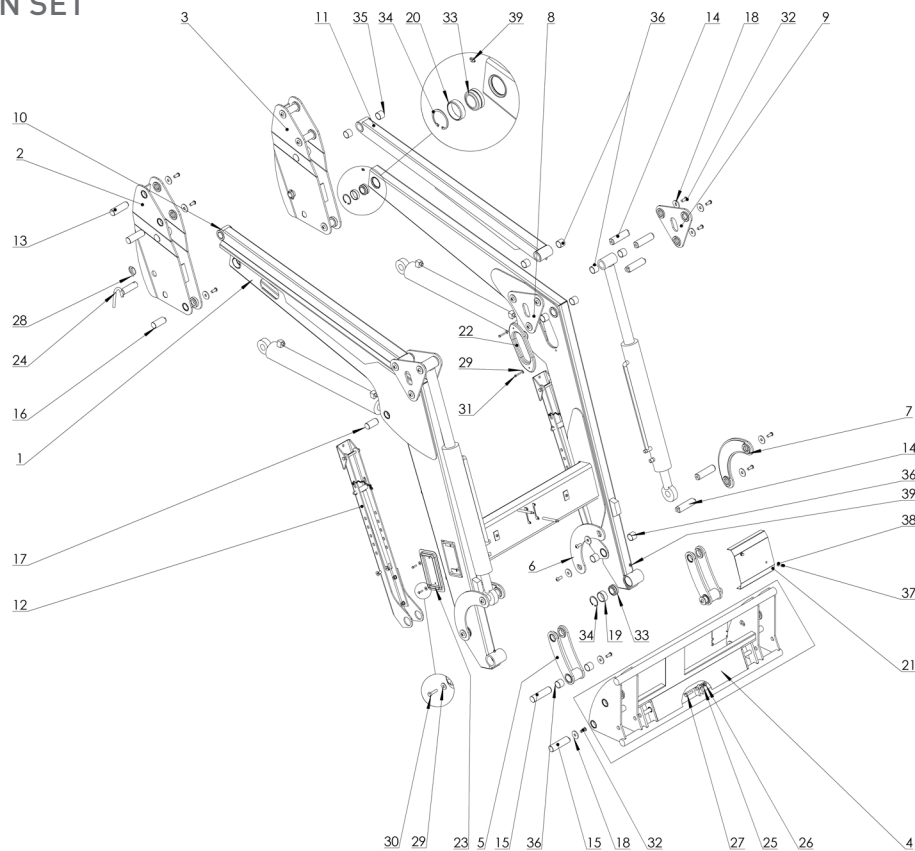
1.	LOADER SET	4
2.	ARM SECTION SET	6
3.	HYDRAULIC SYSTEM	8
4.	SUPPORT FOOT SET	10
5.	HYDRAULIC ACCUMULATOR UNIT SET	12
6.	LEVELLING INDICATOR SET	14

## 1. LOADER SET



No.	Part number or unit	Part number or index
1	Arm section set	See page 6
2	Hydraulic system	See page 8
3	The frame mounted on a tractor	Depending on the tractor
4	Levelling indicator set	See page 14

## 2. ARM SECTION SET

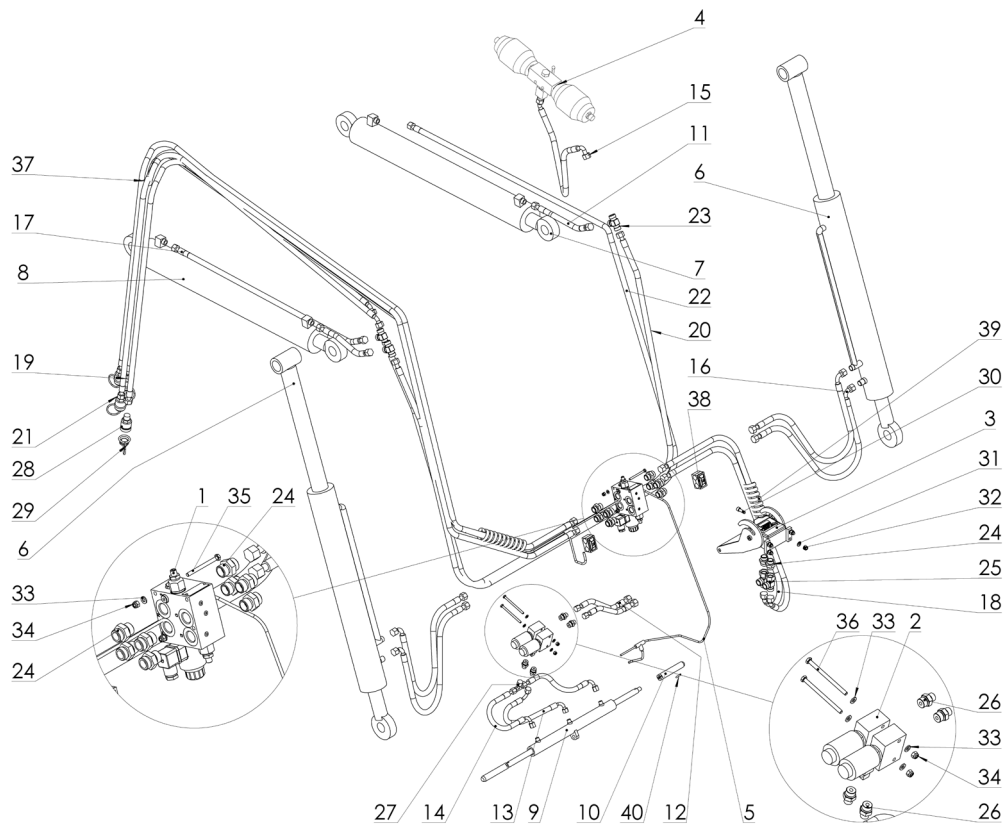




No.	Part number or unit	Part number or index	Quantity
1	Arm section set	T248.001.000.000	1
2	Right lever set	T248.002.001.000	1
3	Left lever set	T248.002.002.000	1
4	Adapter frame for coupling tools and accessories EURO	T248.004.001.000	1
5	Lower welded connector	T248.005.001.000	2
6	Right foot set	T248.006.001.000	2
7	Left foot set	T248.006.002.000	2
8	Upper right connector set	T248.007.001.000	2
9	Upper left connector set	T248.007.002.000	2
10	Welded upper right connector	T248.008.001.000	1
11	Welded upper left connector	T248.008.002.000	1
12	Right foot set Left foot set	T248.009.001.000 T248.009.002.000	1 1
13	Pin I	T248.010.000.001	4
14	Pin II	T248.010.000.002	10
15	Pin III	T248.010.000.003	4
16	Pin V	T248.010.000.004	2
17	Pin V	T248.010.000.005	2
18	Special washer	T248.000.000.011	32
19	Sleeve I locking the bearing	T248.000.000.015	2

No.	Part number or unit	Part number or index	Quantity
20	Sleeve II locking the bearing	T248.000.000.016	2
21	Divider cover	T241-1.000.000.016	1
22	Inner profile protection	POD-TSZ-000149	2
23	Outer casing of the connecting pipe	POD-TSZ-000148	2
24	Locking pin	T229-1.000.029.000.1	2
25	Round washer 10.5	23P10 82005	1
26	Self-locking nut M10	23NS100C	1
27	Bolt M10x45	POD-ELZ-000428	1
28	Cotter pin 11	23PR11	2
29	Round washer 6.5	23P6OC030	8
30	Bolt M6x25	23S6/25OC 105	4
31	Bolt M6x35	23S6/35OC	4
32	Bolt M12x30	POD-ELZ-000634	32
33	Bearing GE 35 ES	POD-LOZ-000011-1	4
34	Seeger W55	POD-ELZ-000516	4
35	GSM-3539-30	POD-LOZ-000203	4
36	GSM-3539-40	POD-LOZ-000220	20
37	Acorn nut M8	POD-ELZ-000607	2
38	Round washer 8.4	23P800C	2
39	Grease nipple M6x1	23SM	4

### 3. HYDRAULIC SYSTEM

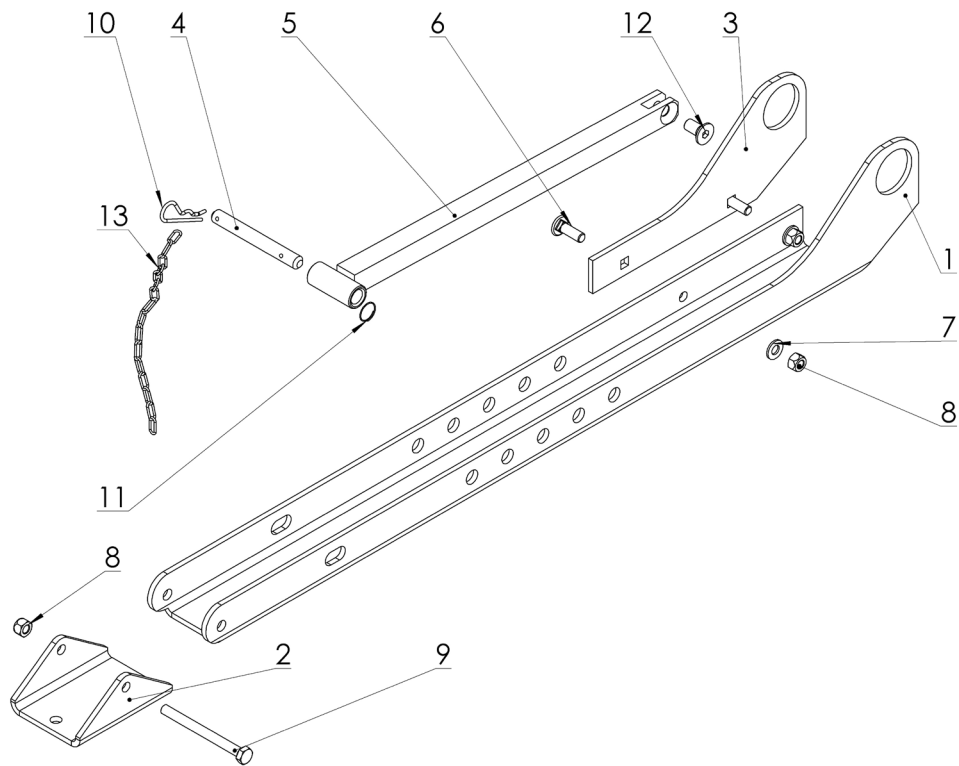




No.	Part number or unit	Part number or index	Quantity
1	Electrical composite divider	POD-HZW-000079	1
2	Control valve	POD-HZW-000085	2
3	Quick release coupling 2x1/2"	POD-HZW-000073	1
4	Hydraulic accumulator (set)	24HA	1
5	Bunch of cables for loader T248	POD-ELK-000315	1
6	Actuator UCJ416-80 / 45/450	POD-HSL-000132	2
7	Actuator UCJ415-80/45/690 L	POD-HSL-000134	1
8	Actuator UCJ414-80/45/690 P	POD-HSL-000135	1
9	Actuator UCJ38-25/18/2x110	POD-HSL-000148	1
10	Protective pin	T248.004.000.002	2
11	Rubber hydraulic hose	AA/241/10/ L-210	2
12	Rubber hydraulic hose	AA/21_/6/ L-300	2
13	Rubber hydraulic hose	A90A90/211/6 L-300	1
14	Rubber hydraulic hose	AA90/211/6 L-300	2
15	Rubber hydraulic hose	A45A90/214/10 L-650	1
16	Rubber hydraulic hose	AA90/214/10 L-720	4
17	Rubber hydraulic hose	AA/241/10 L-950	1
18	Rubber hydraulic hose	A45A/233/13 L-1200	2
19	Rubber hydraulic hose	A45A/233/13 L-2000	2
20	Rubber hydraulic hose	AA/244/10 L-2700	1

No.	Part number or unit	Part number or index	Quantity
21	Rubber hydraulic hose	AA/233/13 L-3100	2
22	Rubber hydraulic hose	AA/241/10 L-3400	1
23	T-pipe connector 22x22x22	POD-HKR-000007-1	3
24	Straight connector	24K1/2 22	10
25	Asymmetric T-pipe connector 22x22x22.-1.5	POD-HKR-000018	2
26	Straight connector	POD-HKR-000047	4
27	Symmetric T-pipe connector 3xM14x1.5	POD-HKR-000066	1
28	Euro valve-socket	24ZGE13	4
29	Seat valve adapter	24ZGNE13	4
30	Allen screw 8x25	POD-ELZ-000351	4
31	Round washer 8.4	23P800C	4
32	Self-locking nut M8	23NS80C	4
33	Round washer 6.4	23P600C	6
34	Self-locking nut M6	23NS60C	4
35	Bolt M6x70	23S6/70 105	2
36	Bolt M6x90	POD-ELZ-000728	2
37	Plug 3 vertical 251100	POD-ELK-000198	1
38	Handle HBK 2x18	POD-HPZ-000005-1	2
39	Spiral cover HG40	POD-HPZ-000043-1	2
40	Spring-type straight pin 4x28	23K4/30	2

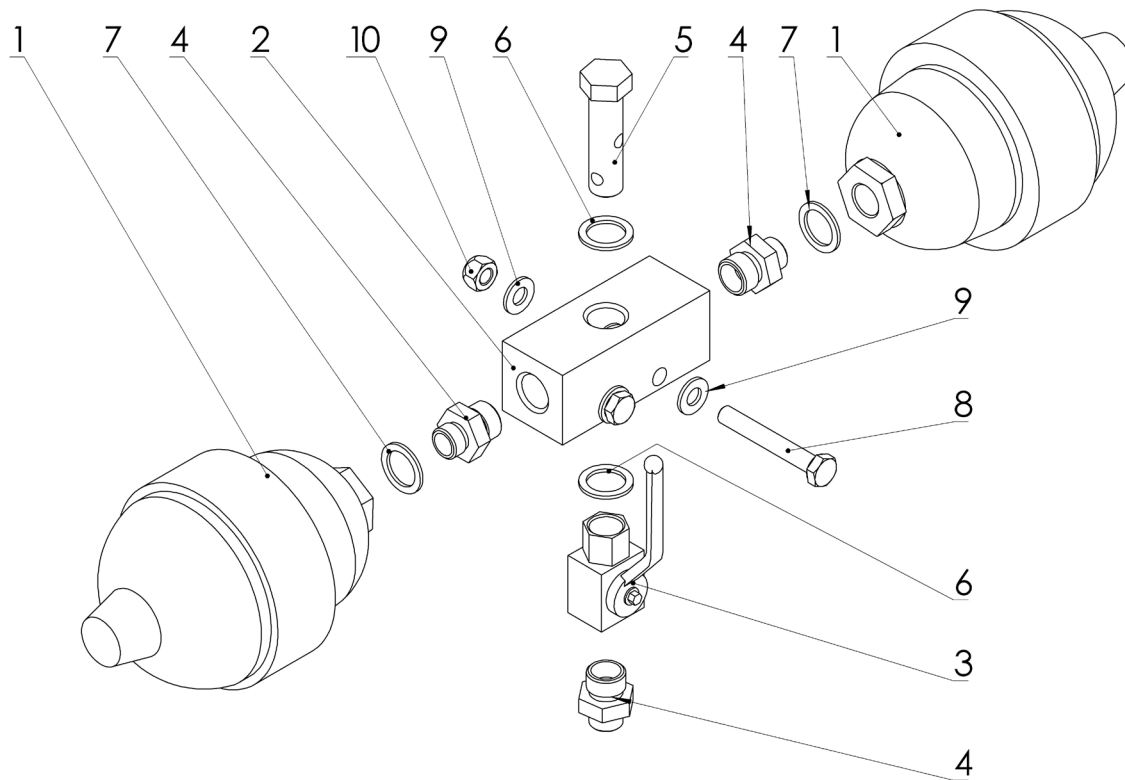
## 4. SUPPORT FOOT SET



No.	Part number or unit	Part number or index	Quantity
1	Right foot channel section Left foot	T248.009.001.001	1
		T248.009.002.001	1
2	Foot	T248.009.001.003	1
3	Foot side panel	T248.009.001.004	1
4	Foot protection	T248.009.001.005	1
5	Foot support	T248.009.001.200	1
6	Bolt M10x30	23S10/30P	1
7	Round washer 10.5	23P10 82005	1

No.	Part number or unit	Part number or index	Quantity
8	Self-locking nut M10	23NS100C	1
9	Bolt M10x110	23S10/1100C 8,8	1
10	Double spring cotter pin 3.2mm	POD-ELZ-000422	1
11	Key ring	23KK	1
12	Bolt M12x25	POD-ELZ-000518	1
13	Spanning chain Ø 2mm	25LS	1

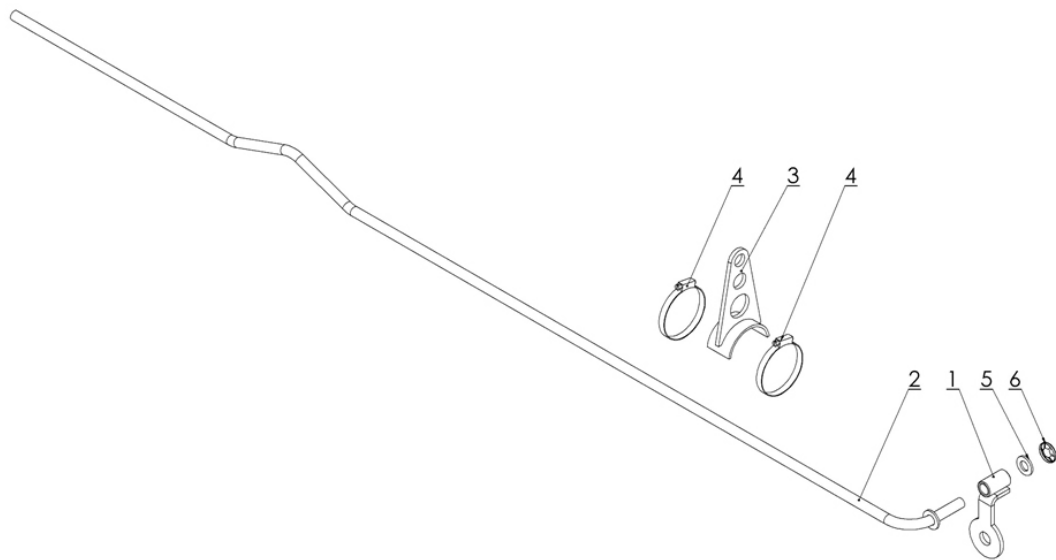
## 5. HYDRAULIC ACCUMULATOR UNIT SET



No.	Part number or unit	Part number or index	Quantity
1	Hydraulic accumulator	H500R/LT	2
2	Block valve	kw.45+SC01	1
3	Ball valve	GE2-1/2"	1
4	Straight connector 1/2"/M18x1.5	24KP1/2 18	3
5	Eye bolt 1/2"	G1/2" L=60	1

No.	Part number or unit	Part number or index	Quantity
6	Copper washer 1/2"	21x18x1,5	2
7	Sealing ring PPM 18	24UPPM18	2
8	Bolt M10x70	23S10/70	2
9	Round washer 11	23P10 82005	2
10	Self-locking nut M10oc 82175 8	23NS100C	2

## 6. LEVELLING INDICATOR SET



No.	Part number or unit	Part number or index	Quantity
1	Support I	T229-1 051.001.000	1
2	Indicator tube	POD-HPR-000359	1
3	Support II	T229-1 051.003.000	1
4	Worm band	POD-UGL-000361	2
5	Round washer 12	23P120C	1
6	Spring protection	POD-ELZ-000494	1



**SALES DIVISION** **METAL-FACH®**

16-100 Sokółka, ul. Kresowa 62,  
tel.: +48 85 711 07 88, fax: +48 85 711 07 89  
handel@metalfach.com.pl

**SERVICE DIVISION** **METAL-FACH®**

16-100 Sokółka, ul. Kresowa 62,  
tel.: +48 85 711 07 80, fax: +48 85 711 07 93,  
serwis@metalfach.com.pl

**SPARE PARTS - WHOLESALE** **METAL-FACH®**

16-100 Sokółka, ul. Kresowa 62,  
tel.: +48 85 711 07 81, fax: +48 85 711 07 93,  
hurtownia@metalfach.com.pl

**SPARE PARTS - INDIVIDUAL SALE** **METAL-FACH®**

16-100 Sokółka, ul. Kresowa 62,  
24-Hour Telephone 24h/7 days +48 533 111 477  
tel.: +48 85 711 07 90  
sklep.kontakt@metalfach.com.pl

**METAL-FACH®**

„METAL-FACH” SP. Z O. O.; UL. KRESOWA 62; 16-100 SOKÓŁKA