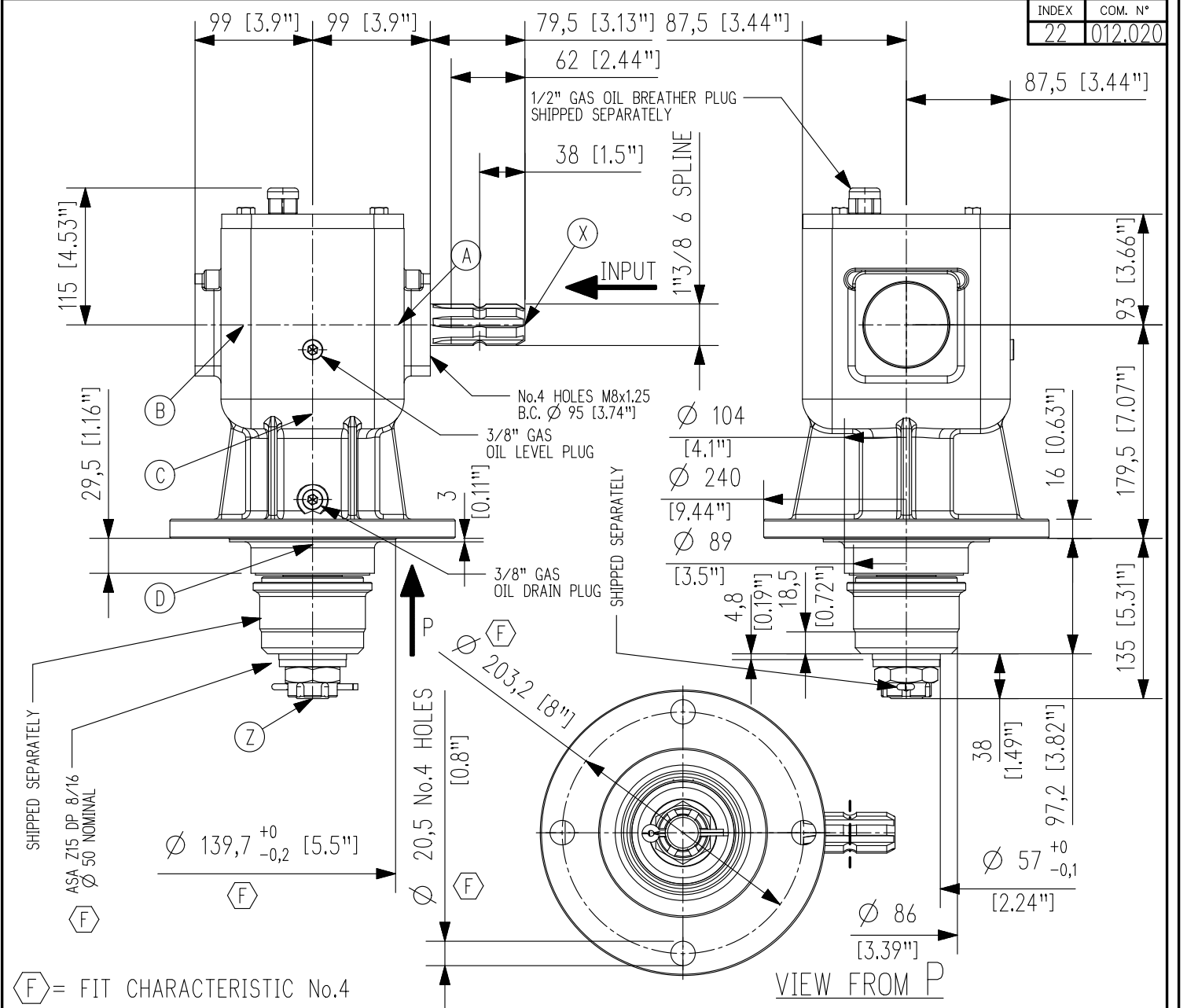
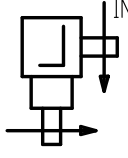


INDEX	COM. N°
22	012.020



F = FIT CHARACTERISTIC No.4

SPEED INCREASING UNIT	Ratio <i>i</i>	Rated input r.p.m.	Rated input power HP kW		Rated output torque da Nm	Weight Kg	Oil Type <input checked="" type="checkbox"/> Grease <input type="checkbox"/>	Lubricant Quantity Lt.				
	1 : 1,93	540	60	44	39	28.5	SAE.90EP	1.4				
		Bevel couplings				Cylindrical couplings				Bearings		
		Helicoidal	Straight	Teeth number		Module	Helicoidal	Straight	Teeth number		Module	A
		Z 1	Z 2	Z 3	Z 4	M.					B	6207
	<input checked="" type="checkbox"/>	14	27			5.64					C	30210
											D	30210
											E	
Components material												
Casing	Shaft X	Shaft Z		Bevel gear		Spur gear				F		
ASTM 60-40-18	AISI 3120	AISI 3120		AISI 3120						G		
										H		

COMER INDUSTRIES reserves the right to make any change to this product without prior public acknowledgement

COMER INDUSTRIES S.p.A. 42046 Villanova di Reggiolo (R.E.) Italia Tel. 0522\974111 (9 Linee) Telefax 0522\973249